



RAILFLEX
FIXED AND MOBILE SHELVING





RAILFLEX STORAGE

Railflex is your optimal solution for maximising your commercial space from floor to ceiling. Specially designed by our team for light storage duties, Railflex shelves also allow you to store your heaviest items. Our HD system is more robust and meets the highest safety standards. Whether fixed or mobile, Railflex structures adapt to all types of spaces, even narrow ones, such as back stores and archive rooms. Both models, whether used together or separately, make your entire space more cost effective. The shelves can be installed at different heights allowing you to change the configuration at any time.

INDUSTRIAL FRAME

Material: Painted steel 18GA

Standard Dimensions:
 12" - 14" - 15" - 16" - 18" - 22" - 24" depth
 Height: 60" - 144" (in increments of 12")

Side reinforcements are riveted. Closed sides also available

HD posts: 11GA painted steel with double front impact reinforcements

INDUSTRIAL SHELF

Material: Painted steel 22 GA

Standard Dimensions:
 12" - 14" - 15" - 16" - 18" - 22" - 24" depth
 - Width: 36" - 42" - 48" Other dimensions available on demand
 - Capacity: 400 pounds with uniformly distributed load.

CARRIAGE

Material: Galvanized steel

Standard width: 24" - 28" - 30" - 32" - 36" - 44" - 48"
 Height: 36" - 48" - 72" - 84" - 96"
 - Foot brake & 2 anti-tilt brackets on all mobile sections
 - Capacity: 1200 pounds per mobile section

ETALEX

STORAGE UNITS

STRUCTURE - RAILFLEX



FIXED UNIT WITH OPEN END FRAMES



FIXED UNIT WITH CLOSED END FRAMES



OPEN FIXED UNIT + HANGBAR + MASONITE BACK



CLOSED FIXED UNIT + HANGBAR + MASONITE BACK



CLOSED FIXED UNIT + POLE + DIVIDERS SHELVES + MASONITE BACK



CLOSED FIXED UNIT + POLE + DIVIDERS SHELVES + METAL BACK



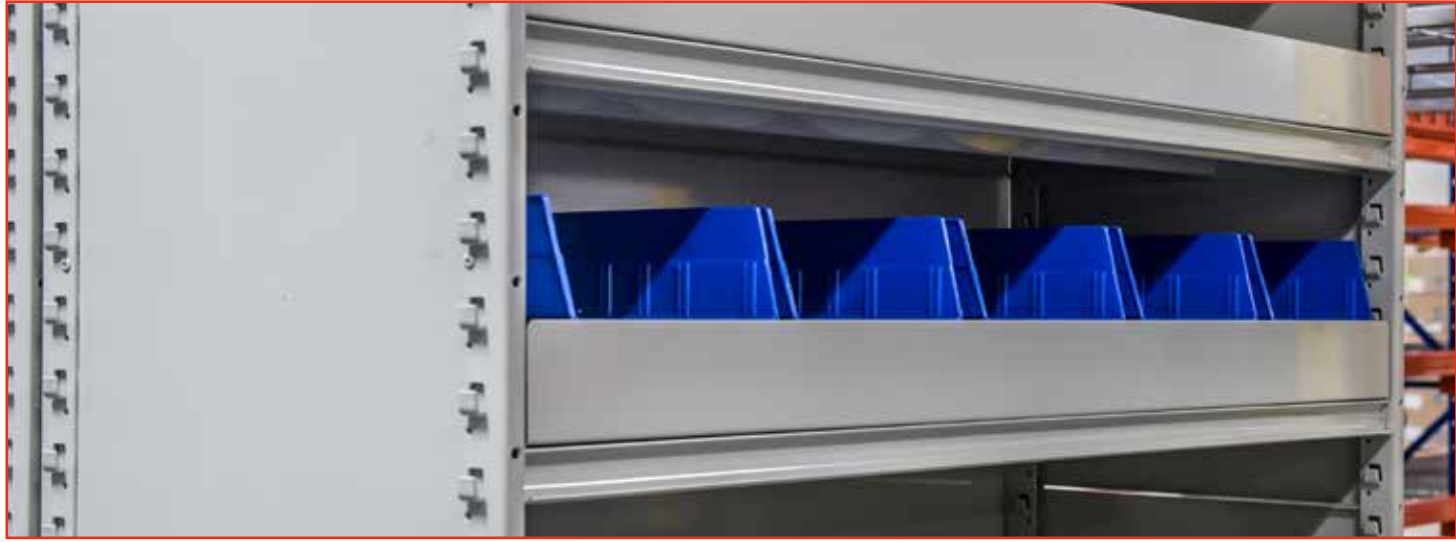
OPEN FIXED UNIT + DOORS MASONITE BACK



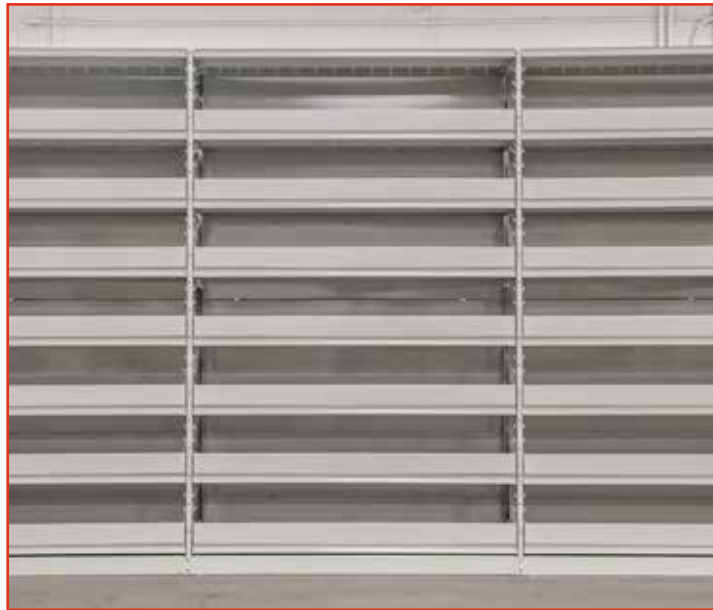
OPEN MOBILE UNIT + MASONITE BACK

ETALEX

PORTFOLIO



PORTFOLIO



ACCESSORIES



ITEM WIRE SHELF
DEPTH
 12" - 14" - 15" - 16" - 18" - 22" - 24"
LENGTH 36" - 48"



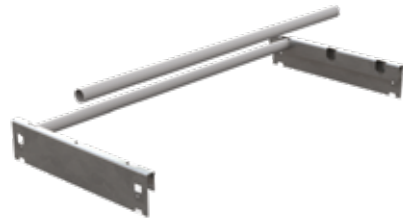
ITEM METAL PERFORATED SHELF
DEPTH
 12" - 14" - 15" - 16" - 18" - 22" - 24"
LENGTH 36" - 42" - 48"



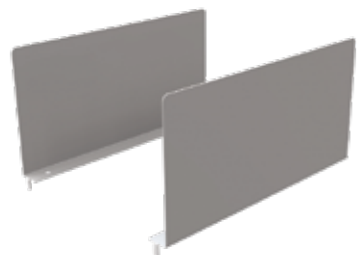
ITEM METAL SHELF
DEPTH
 12" - 14" - 15" - 16" - 18" - 22" - 24"
LENGTH 24" - 36" - 42" - 48"



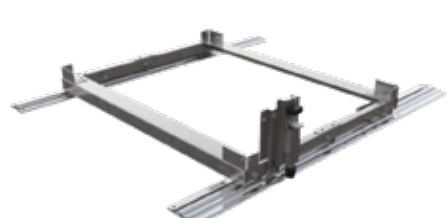
ITEM CROSSBAR FOR HOOKS
LENGTH 36" - 48"



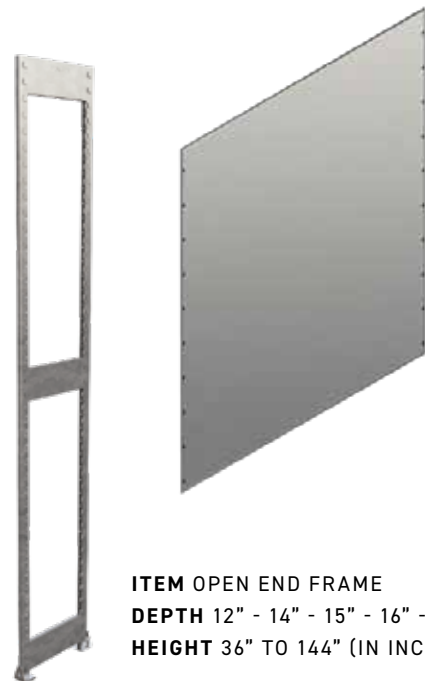
ITEM HANGBAR & BRACKETS
DEPTH 12" - 14" - 15" - 18" - 24"
LENGTH 36" - 48"



ITEM SHELF DIVIDERS
HEIGHT 6"
LENGTH
 12" - 14" - 15" - 16" - 18" - 22" - 24"



ITEM CARRIAGE, BRAKE, ANTI-TILT AND RAIL
DEPTH
 24" - 28" - 30" - 32" - 36" - 44" - 48"
LENGTH 36" - 48" - 72" - 84" - 96"



ITEM OPEN END FRAME
DEPTH 12" - 14" - 15" - 16" - 18" - 22" - 24"
HEIGHT 36" TO 144" (IN INCREMENTS OF 2")



ITEM MASONITE OR METAL BACK
HEIGHT VARIABLE
LENGTH VARIABLE



ITEM KICKPLATE
LENGTH 36" - 42" - 48"

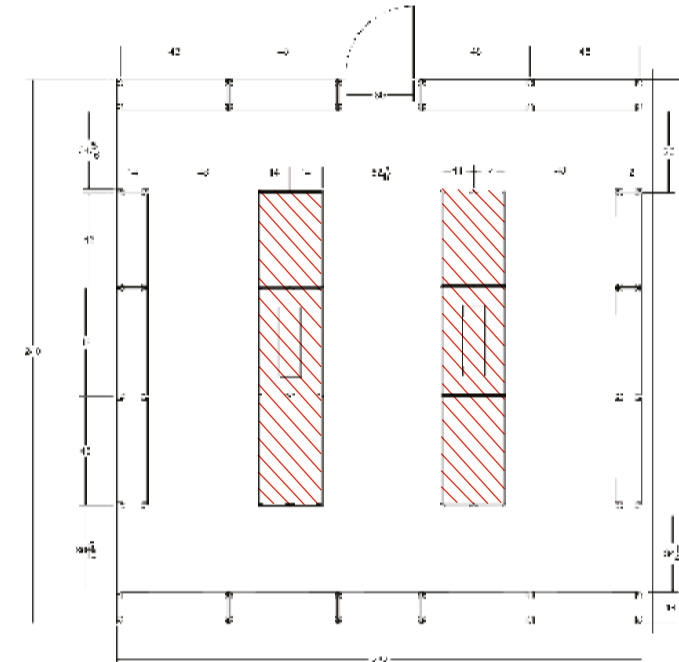
ITEM CLOSED END FRAME
DEPTH 12" - 14" - 15" - 16" - 18" - 22" - 24"
HEIGHT 36" TO 144" (IN INCREMENTS OF 2")

*RAIL LENGTHS ARE VARIABLE. CONTACT ONE OF OUR REPRESENTATIVES FOR MORE INFORMATION.

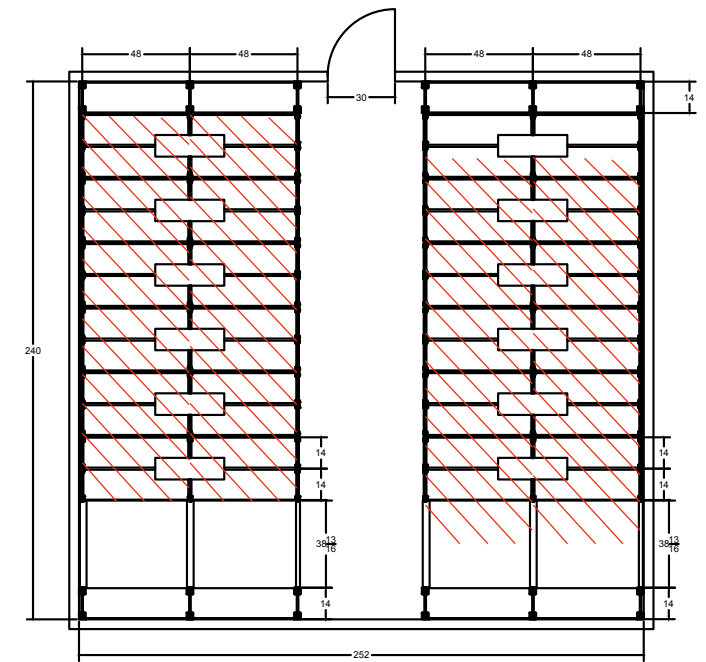
STORAGE

OPTIMIZATION PLAN (BEFORE/AFTER)

REDUCTION IN THE NUMBER OF WALKWAYS SIGNIFICANTLY INCREASES STORAGE SPACE.



100 LINEAR FOOT STORAGE
FLOOR PLAN WITH SELF-STANDING UNITS

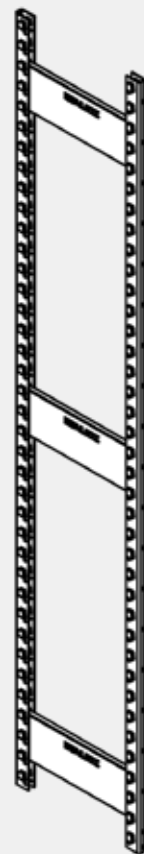


224 LINEAR FOOT STORAGE
FLOOR PLAN WITH MOBILE UNITS





COMPONENTS



INDUSTRIAL FRAME



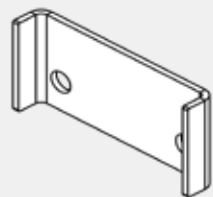
SQUARE NUT 1/4



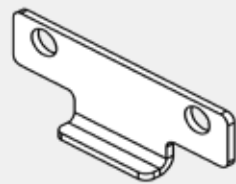
SPACER



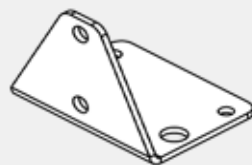
ROUND HEAD SQUARE



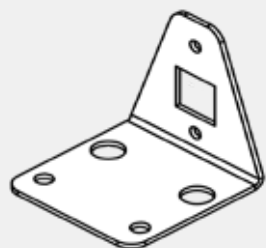
ANTI-FLIP BASE



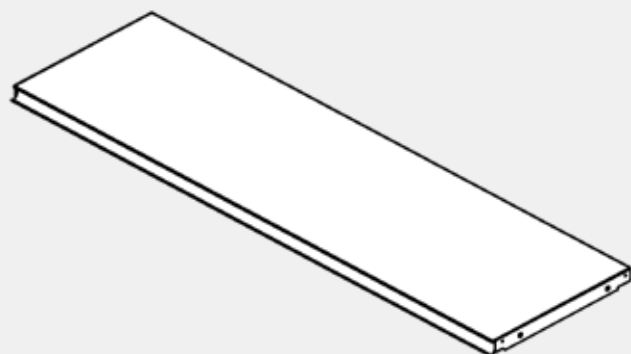
ANTI-FLIP HOOK



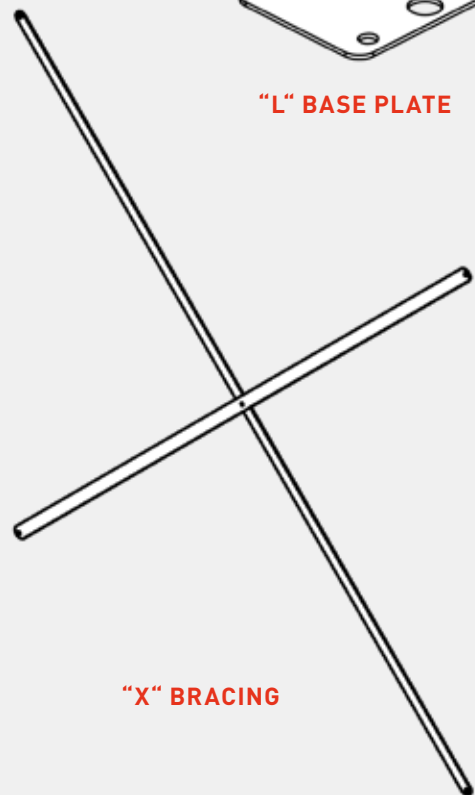
BASE PLATE



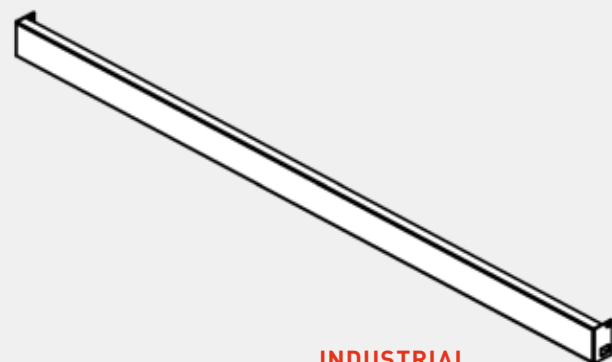
"L" BASE PLATE



INDUSTRIAL SHELF

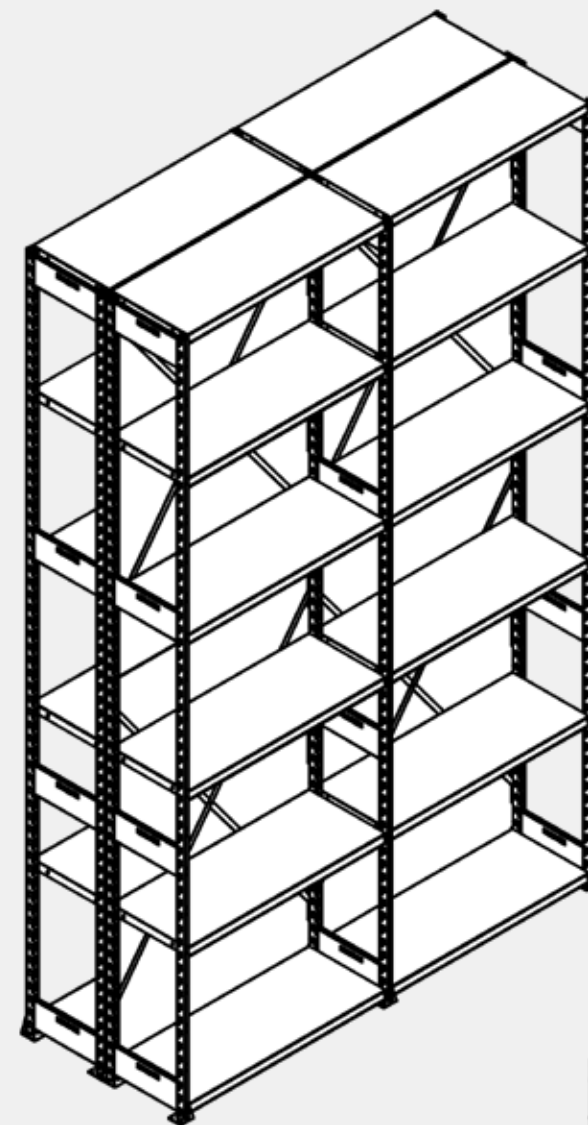


"X" BRACING

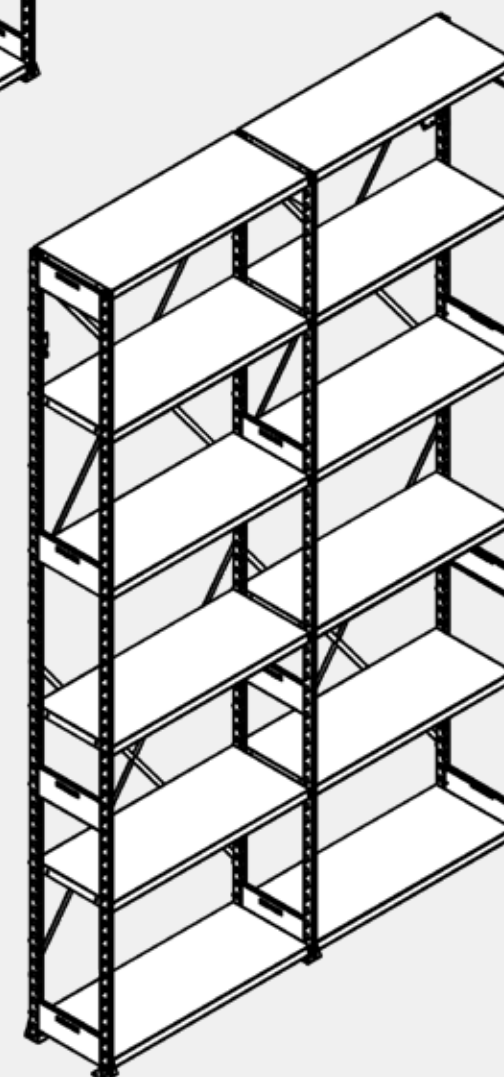


INDUSTRIAL PLANK

FIXED UNIT ASSEMBLY



FREESTANDING DOUBLE UNIT



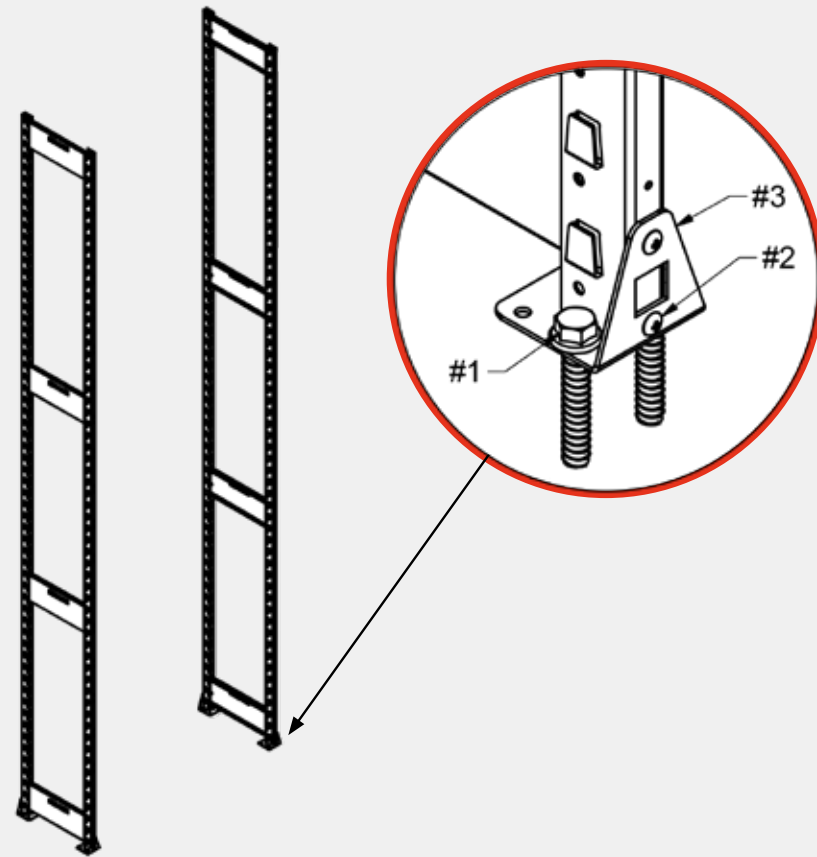
WALL UNIT

ETALEX



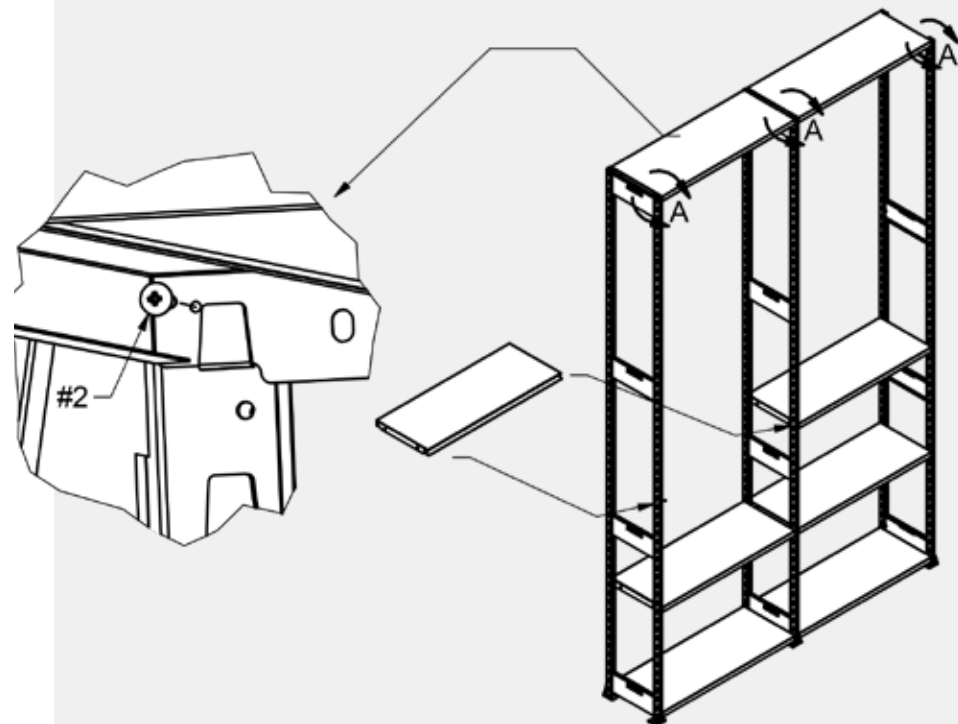
STEP 1

INSTALL BASE PLATES ON THE UPRIGHTS.



STEP 2

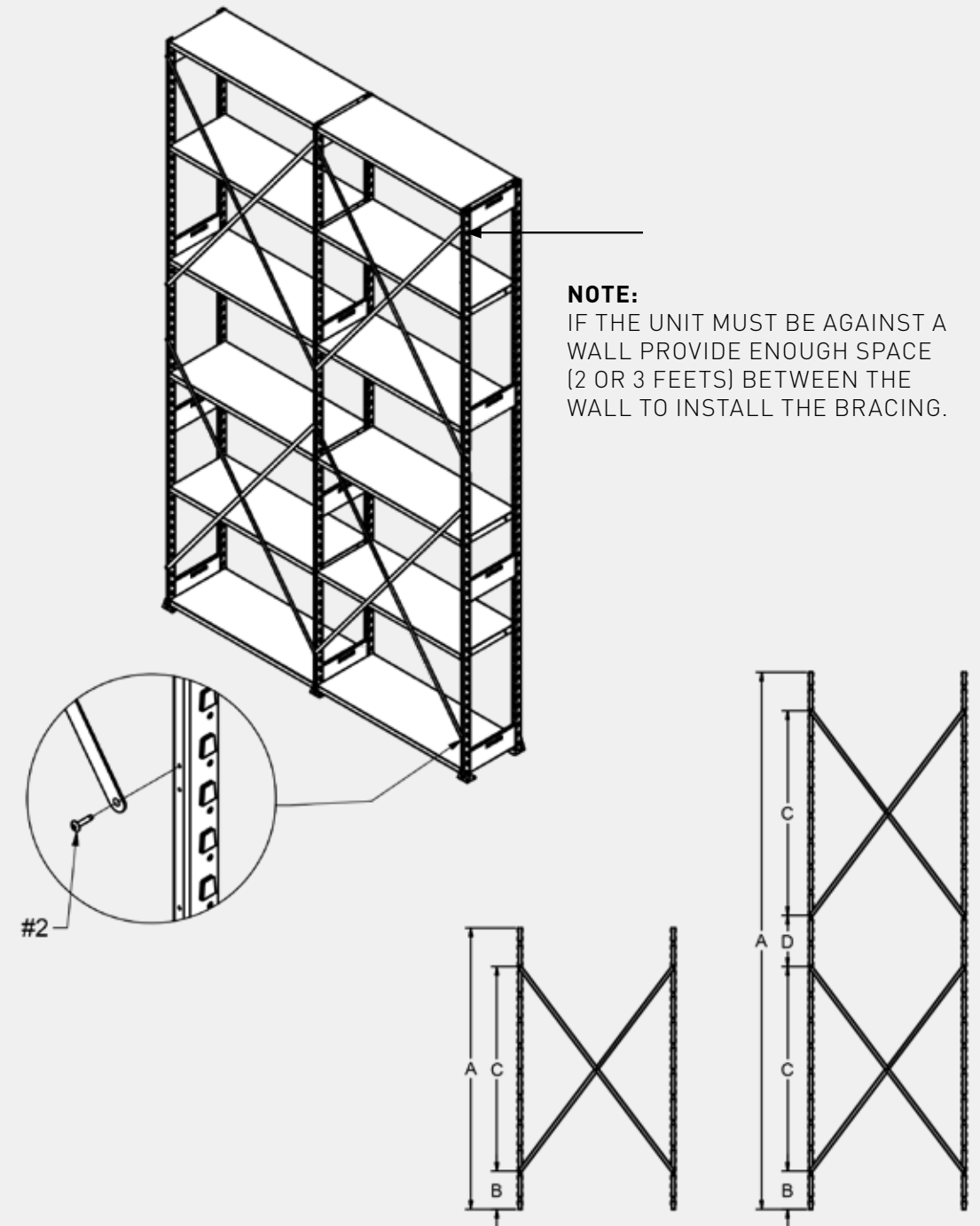
INSTALL THE TOP, BOTTOM AND MIDDLE SHELVING ON THE UPRIGHTS.



IMPORTANT:
SCREW THE
TOP SHELF
ONLY

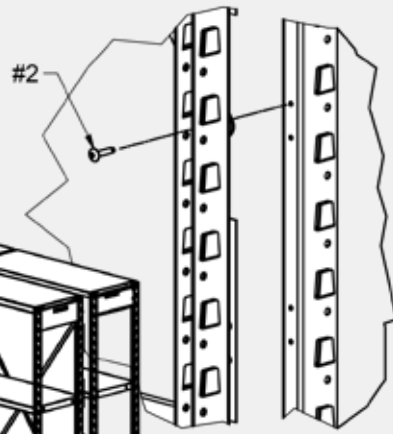
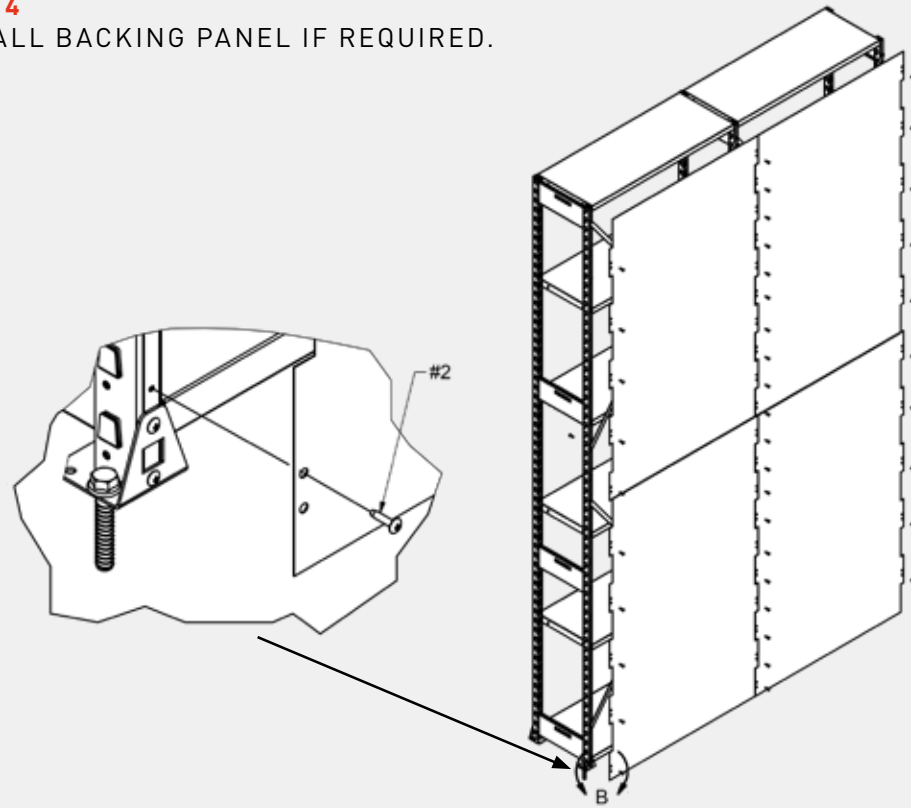
STEP 3

INSTALL BRACING IN THE BACK POSITION BY HEIGHT (SEE CHART).

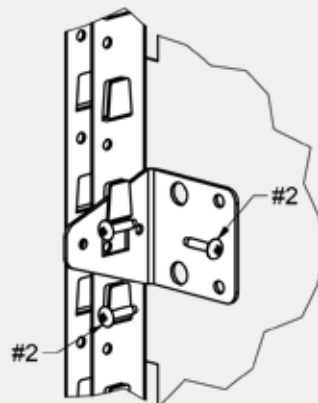


A - HEIGHT	B - DIM	C - DIM	D - DIM	QTY - BRACING
36"	1 13/16"	30"	-	1
48"	1 13/16"	30"	-	1
60"	7 13/16"	48"	-	1
72"	7 13/16"	48"	-	1
84"	7 13/16"	48"	-	1
96"	7 13/16"	48"	-	1
102"	7 13/16"	48"	-	1
108"	7 13/16"	48"	-	1
120"	7 13/16"	48"	12"	2
132"	7 13/16"	48"	12"	2
144"	7 13/16"	48"	12"	2

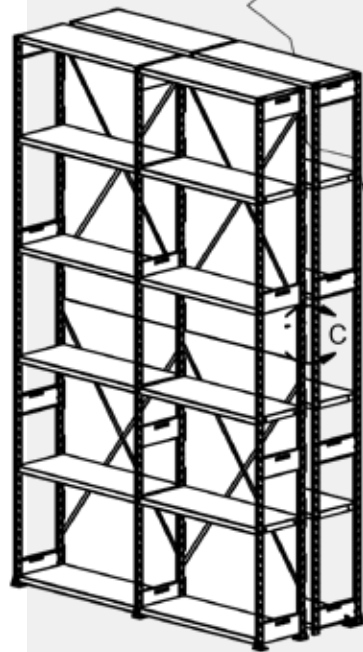
STEP 4
INSTALL BACKING PANEL IF REQUIRED.



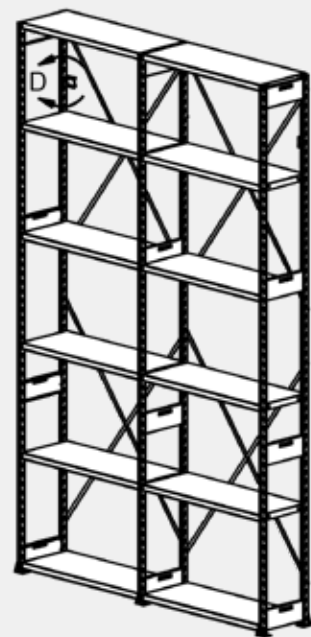
DETAIL C



DETAIL D

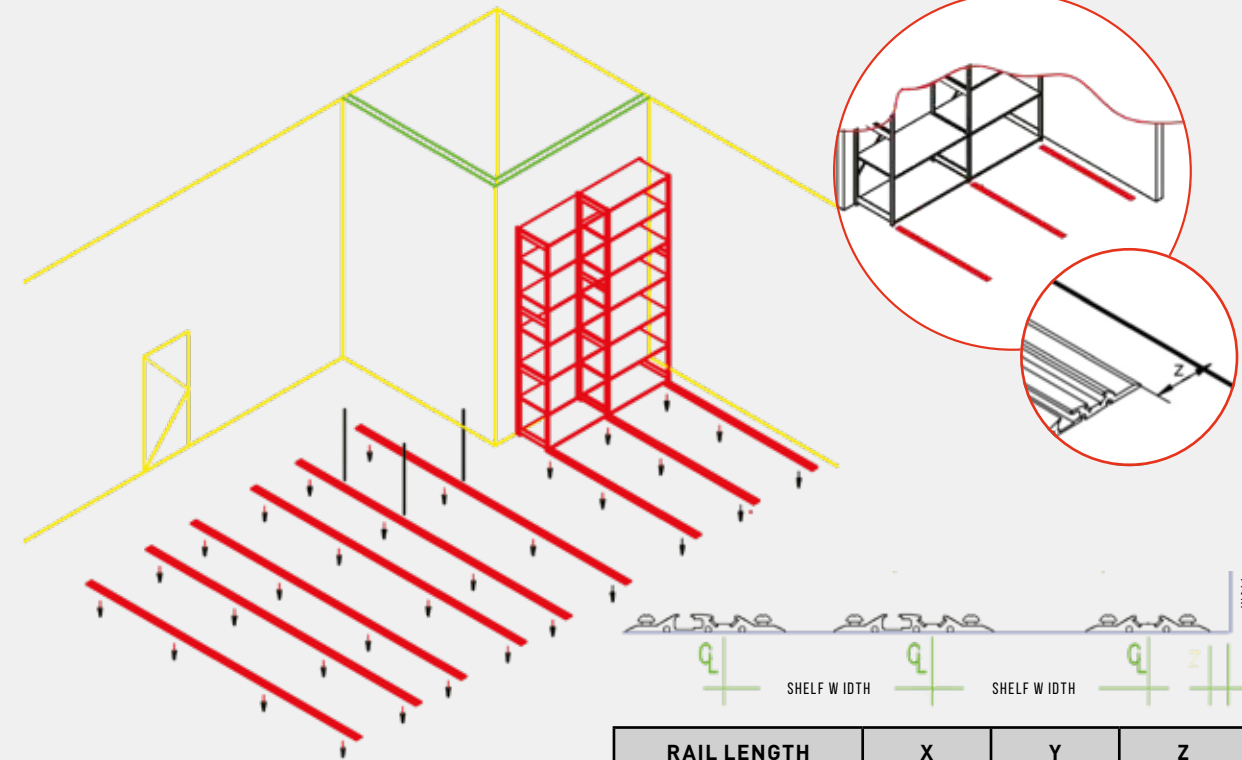


FREESTANDING DOUBLE UNIT:
INSTALL BOTH UNIT TOGETHER BACK TO BACK WITH SELF TAPPING SCREW.



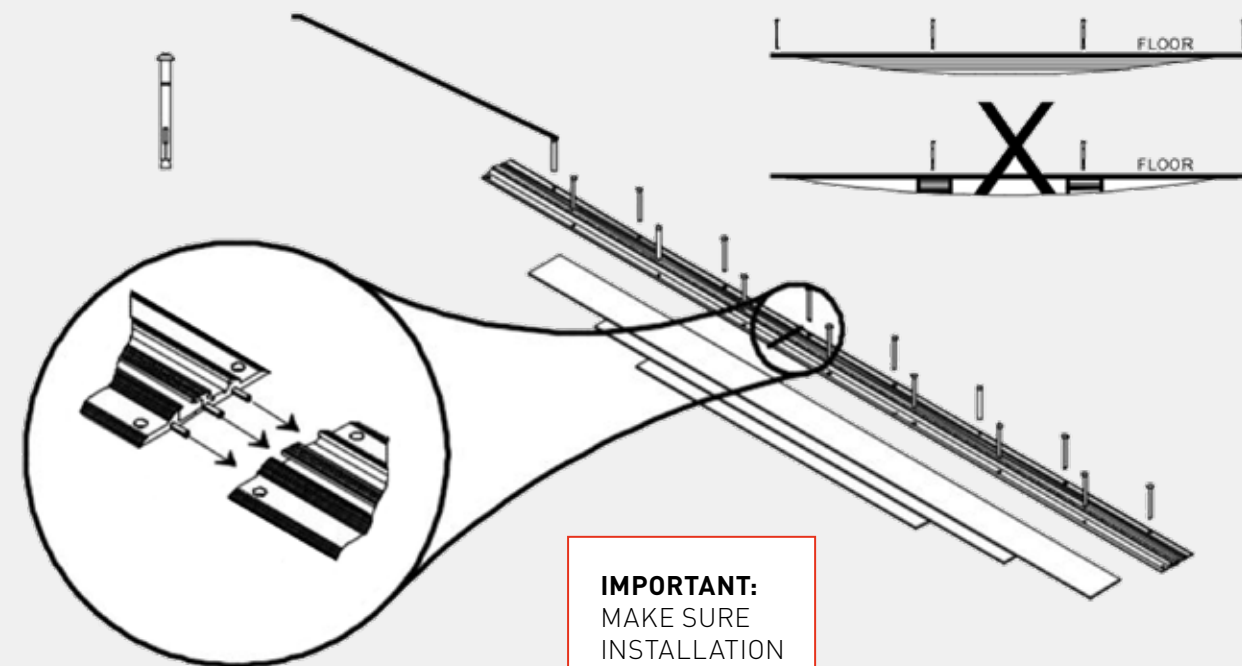
WALL UNIT:
INSERT THE BASE PLATE HORIZONTALLY IN THE SLOT TO ATTACH UNIT TO THE WALL.

STEP 5
INSTALL RAILS ON THE FLOOR
(FOLLOW THE LAYOUT FOR CENTER/CENTER POSITIONNING).



RAIL LENGTH	X	Y	Z
36"	36"	-	1"
48"	48"	-	1"
72"	36"	36"	1"
84"	48"	36"	1"
96"	48"	48"	1"

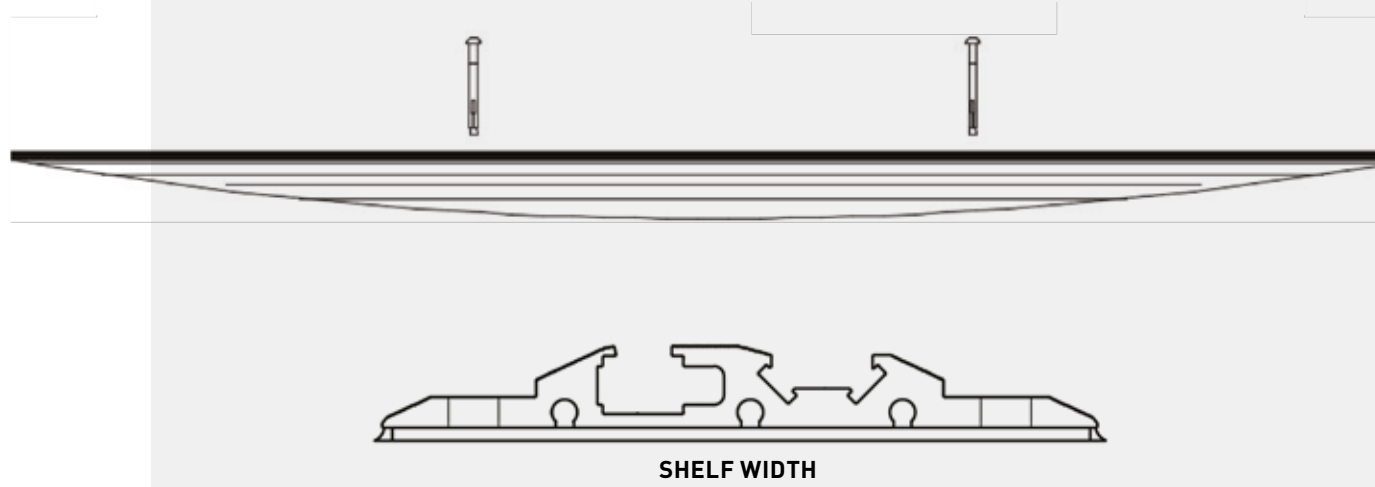
1/4" X 2 1/2" NAIL ANCHOR



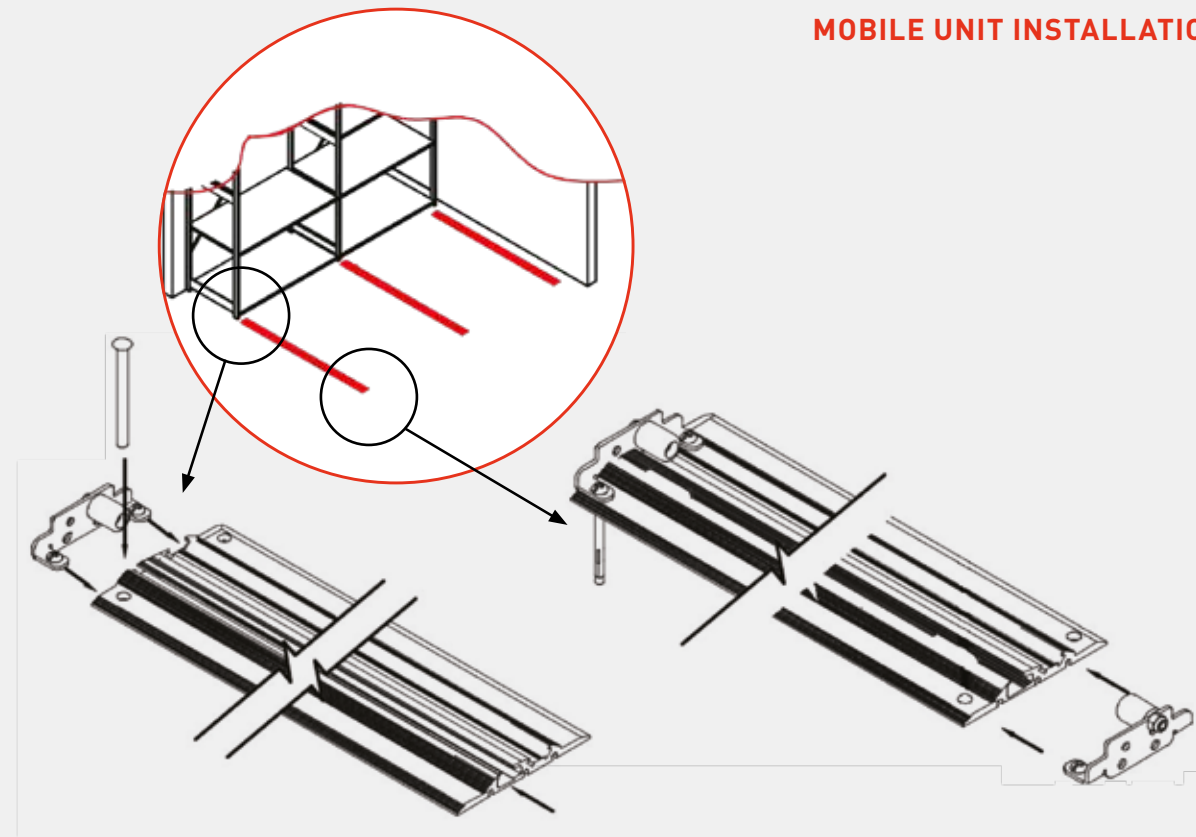
IMPORTANT:
MAKE SURE
INSTALLATION
IS LEVEL

MOBILE UNIT INSTALLATION

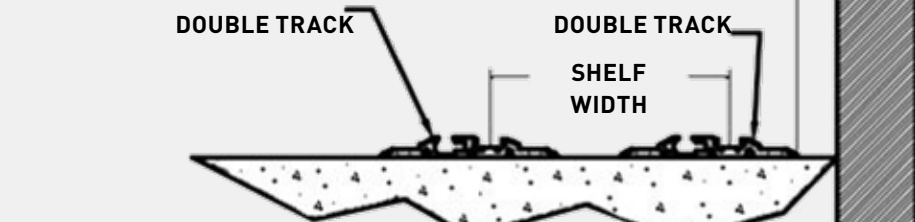
STEP 6
APPLY CAULKING ON ALL SHIM EXPOSED FACES TO AVOID CONTACT WITH WATER.



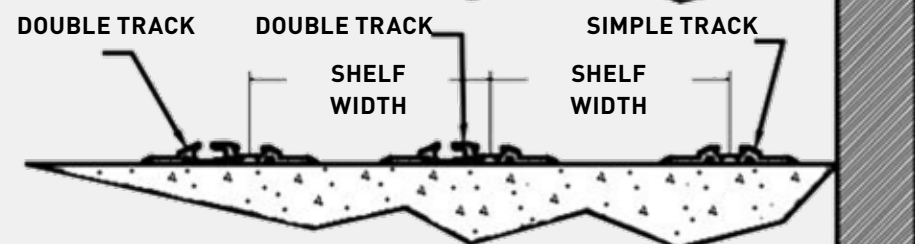
MOBILE UNIT INSTALLATION



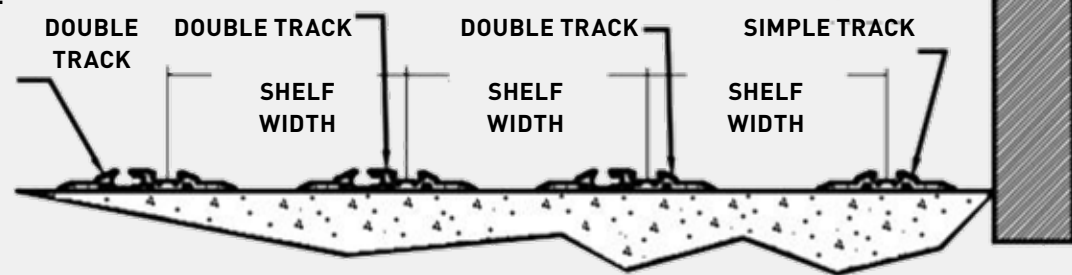
CARRIAGE CHARIOT
36" - 42" - 48"



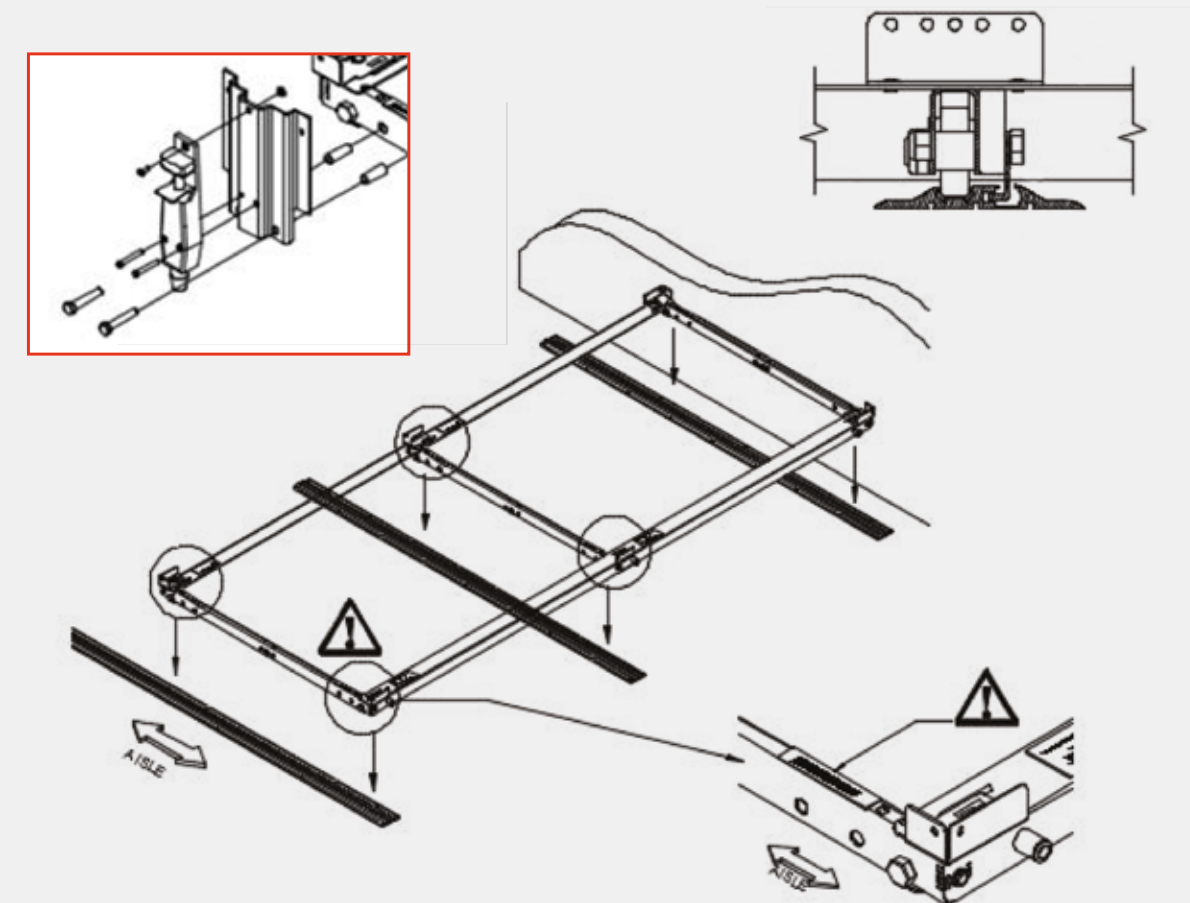
CARRIAGE CHARIOT
60" - 72" - 84" - 96"



CARRIAGE CHARIOT
108"



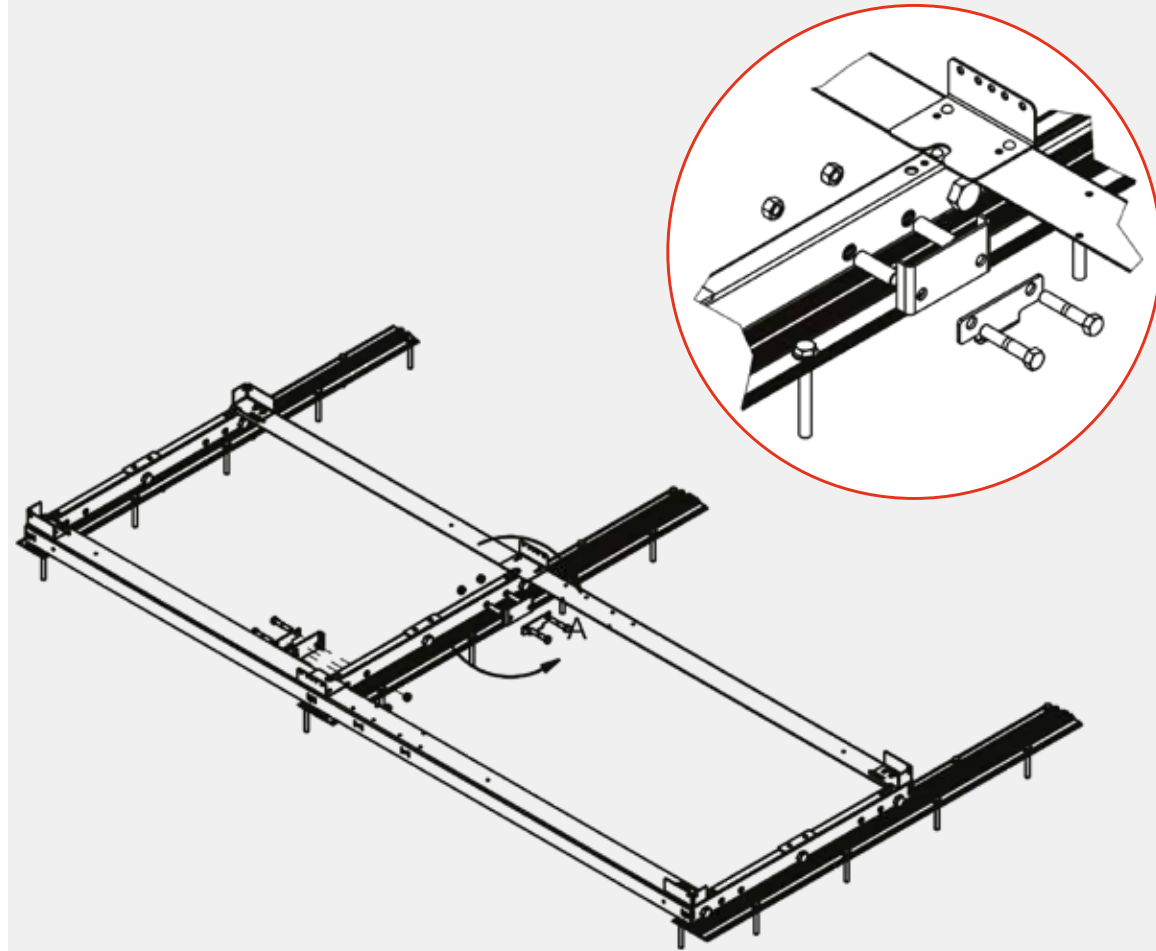
STEP 7
INSTALL ANTI-TIP ON THE CENTER TRACK FOR CARRIAGE 60", 72", 84", 96"
AND ON THE RAIL CLOSER TO THE WALL FOR 36" AND 48".



ETALEX

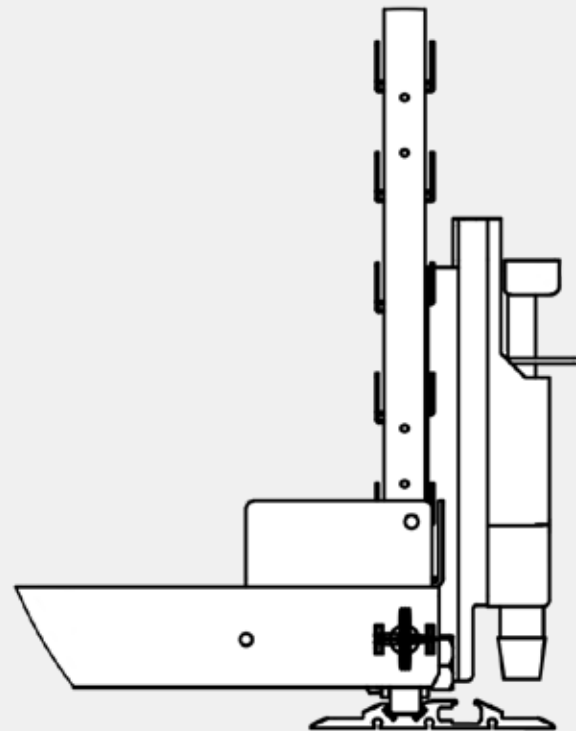
STEP 8

LAY THE TROLLEY ON THE RAILS.
LOCK THE TROLLEY IN PLACE WITH THE ANTI-FLIP TIE.



NOTE:

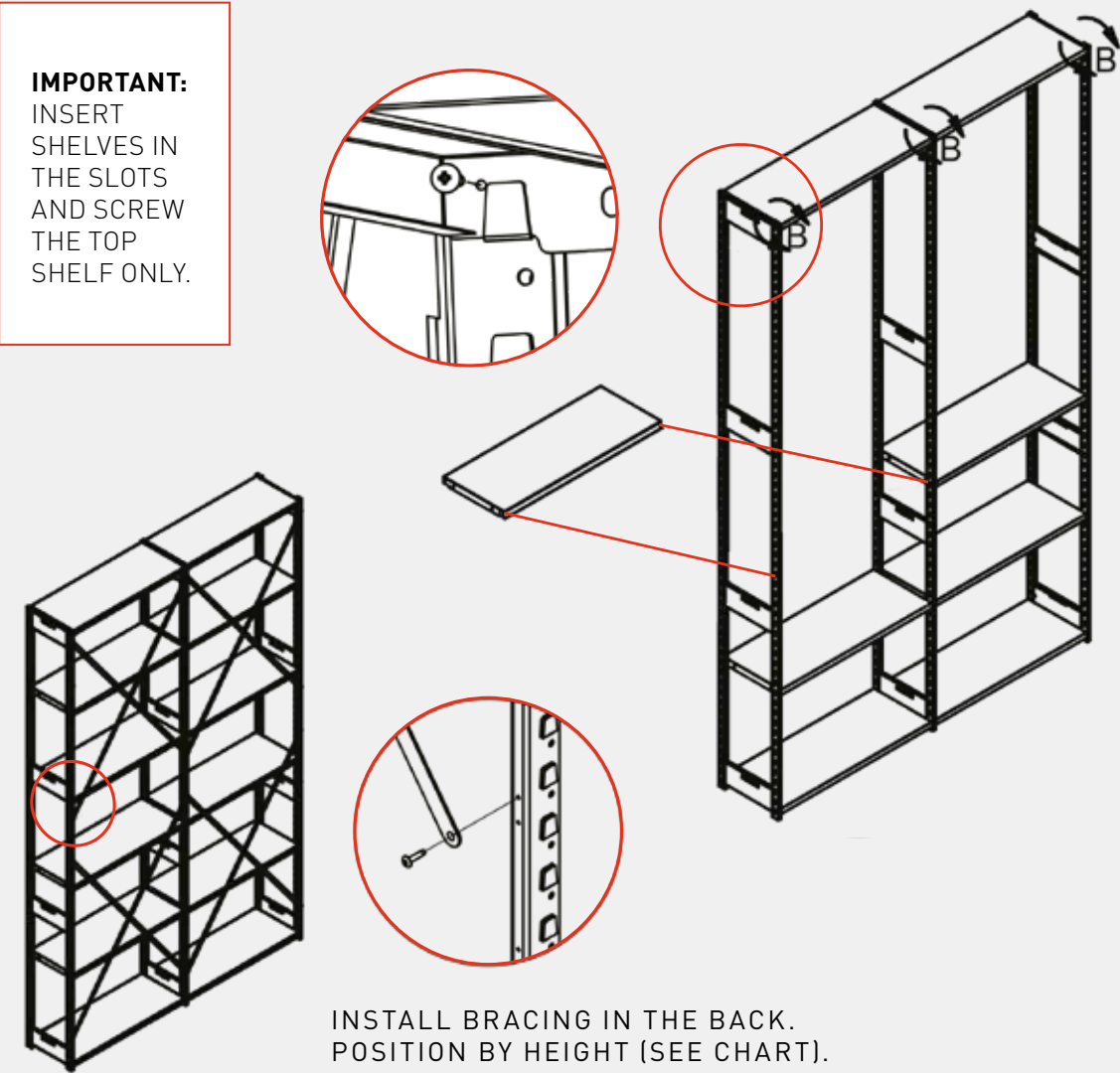
DEPOSIT CASTERS ON THE INSIDE OF THE RAILS TO LEAVE THE REQUIRED SPACE FOR THE BRAKE.



STEP 9

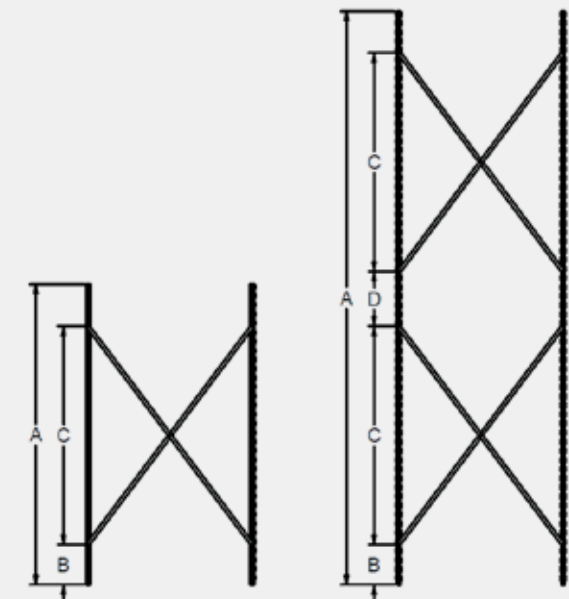
INSTALL THE TOP, BOTTOM AND MIDDLE SHELVING ON THE UPRIGHTS.

IMPORTANT:
INSERT SHELVES IN THE SLOTS AND SCREW THE TOP SHELF ONLY.

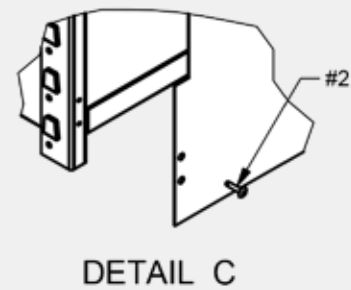
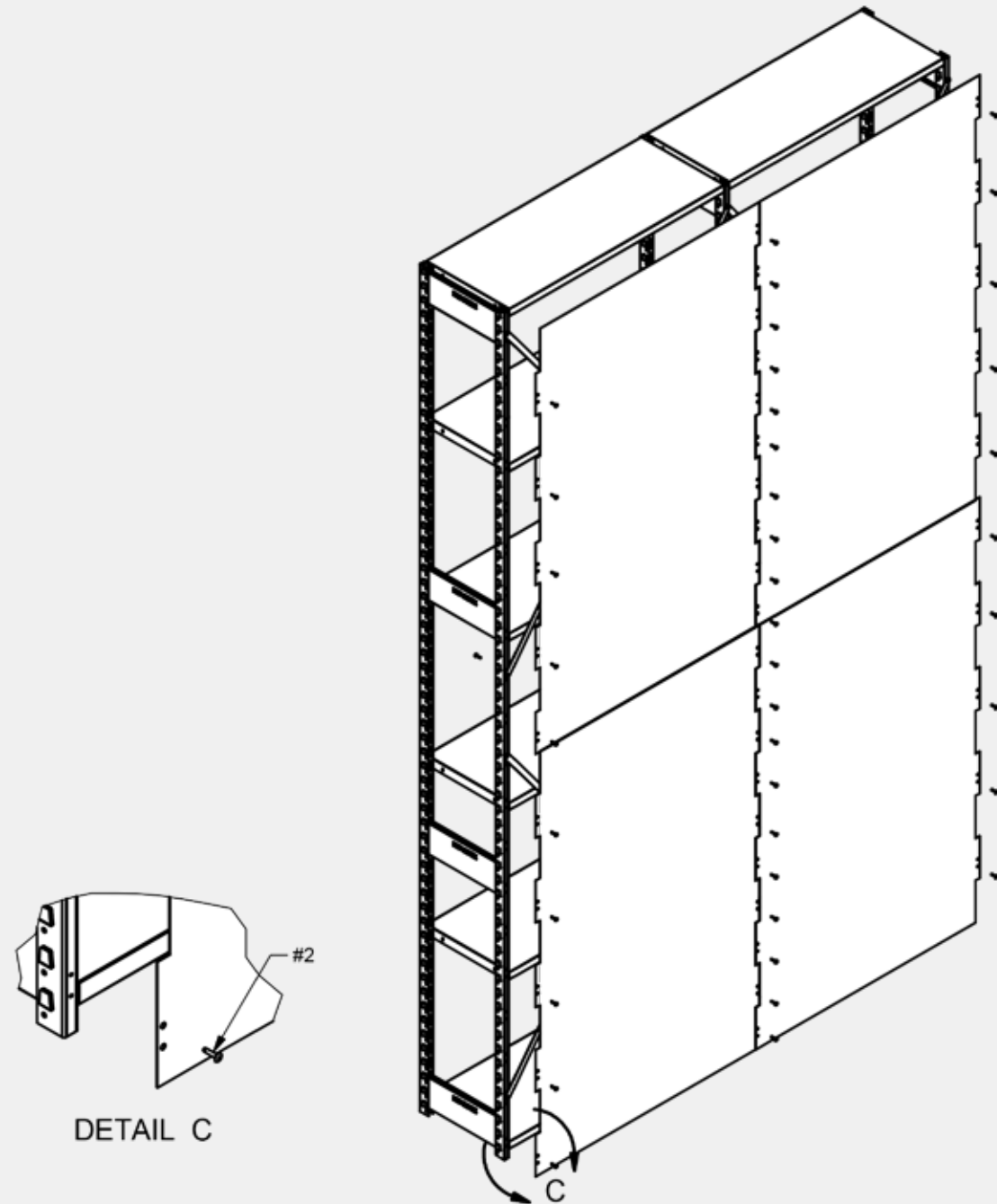


INSTALL BRACING IN THE BACK.
POSITION BY HEIGHT (SEE CHART).

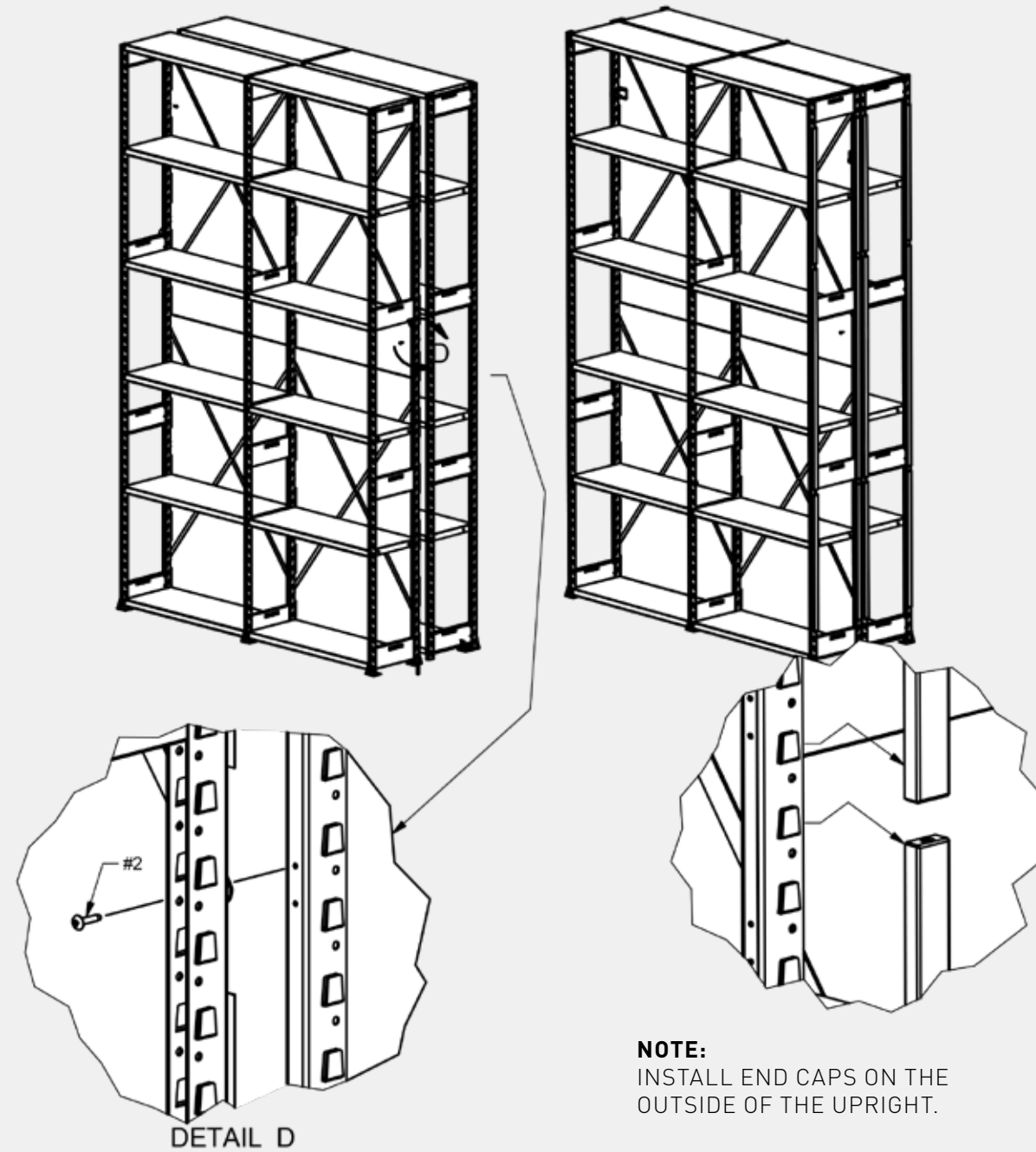
A HEIGHT	B DIM	C DIM	D DIM	QTY BRACING
36"	1 13/16"	30"	-	1
48"	1 13/16"	30"	-	1
60"	7 13/16"	48"	-	1
72"	7 13/16"	48"	-	1
84"	7 13/16"	48"	-	1
96"	7 13/16"	48"	-	1
102"	7 13/16"	48"	-	1
108"	7 13/16"	48"	-	1
120"	7 13/16"	48"	12"	2
132"	7 13/16"	48"	12"	2
144"	7 13/16"	48"	12"	2



STEP 10
INSTALL BACKING PANEL IF REQUIRED.



STEP 11
INSTALL BOTH UNITS TOGETHER BACK TO BACK WITH SELF TAPPING SCREW.



NOTE:
INSTALL END CAPS ON THE
OUTSIDE OF THE UPRIGHT.

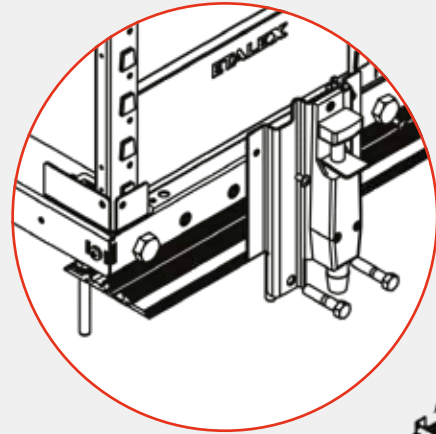
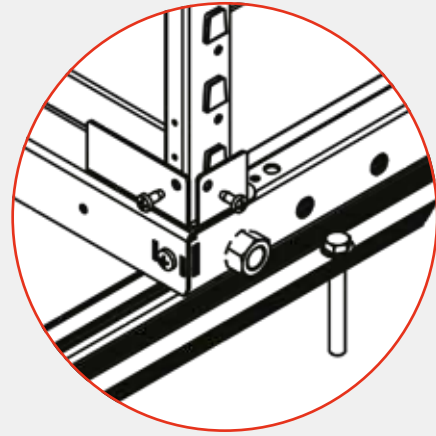
TABLE FOR QUANTITY OF END CAPS

UPRIGHT	FIX	MOBILE
72" H	2 X 30" H.	2 X 30" H.
96" H	3 X 30" H.	1 X 30" H. + 1 X 48" H
120" H	2 X 30" H. + 1 X 48" H	2 X 30" H. + 1 X 48" H
144" H	1 X 30" H. + 2 X 48" H	1 X 30" H. + 2 X 48" H

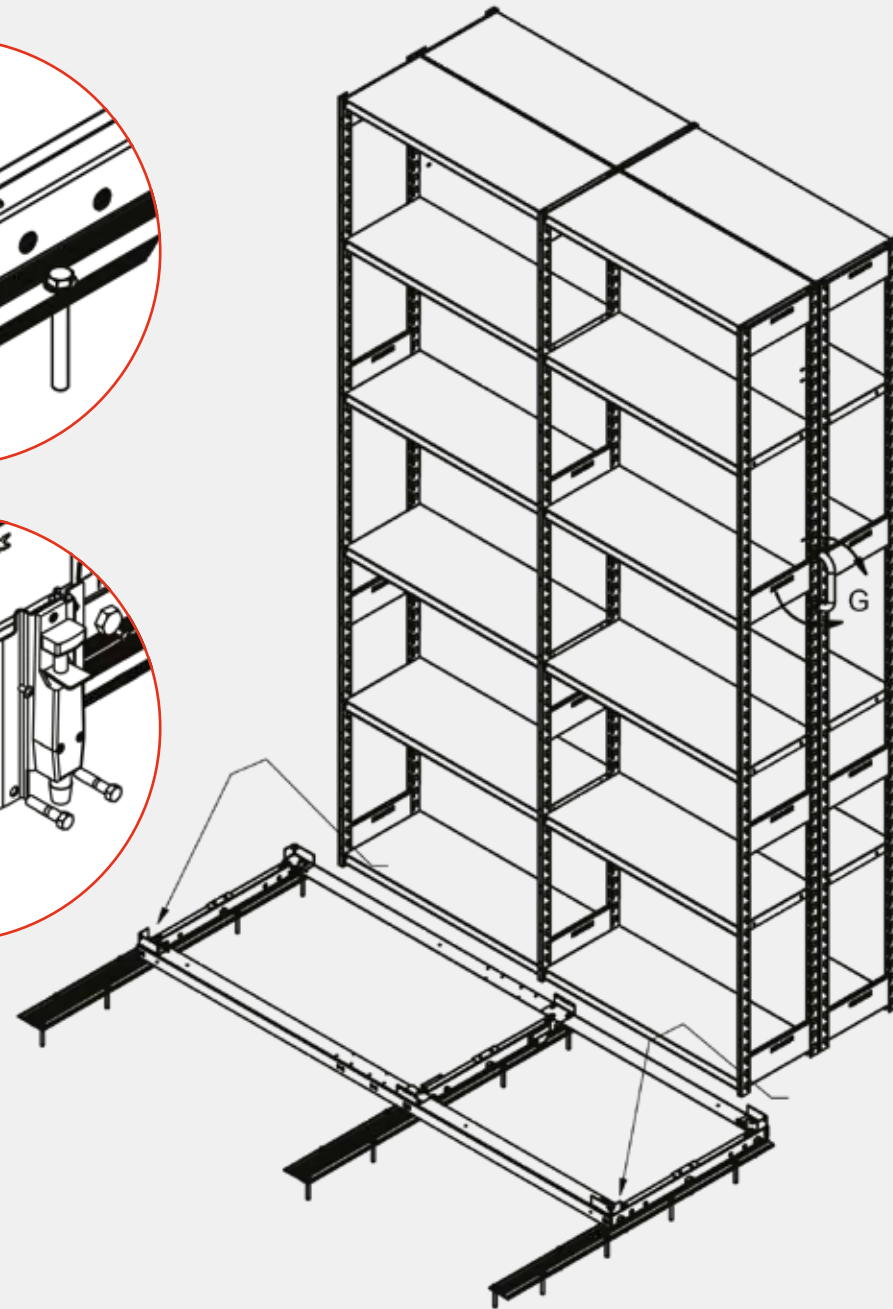
MOBILE UNIT INSTALLATION

STEP 12

2 PEOPLE NEEDED TO LIFT THE RACKING AND DEPOSIT ON THE TROLLEY.

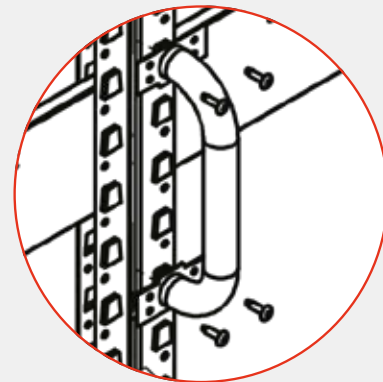


NOTE:
INSTALL THE
BRAKE LAST.

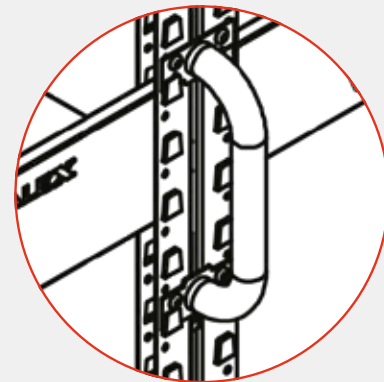


STEP 13

SET THE HANDLE
IN PLACE BY SLIDING
IT IN THE ASSEMBLY
PART AND SECURE
IT WITH THE TEK
SCREWS 10" X 3/4" L.

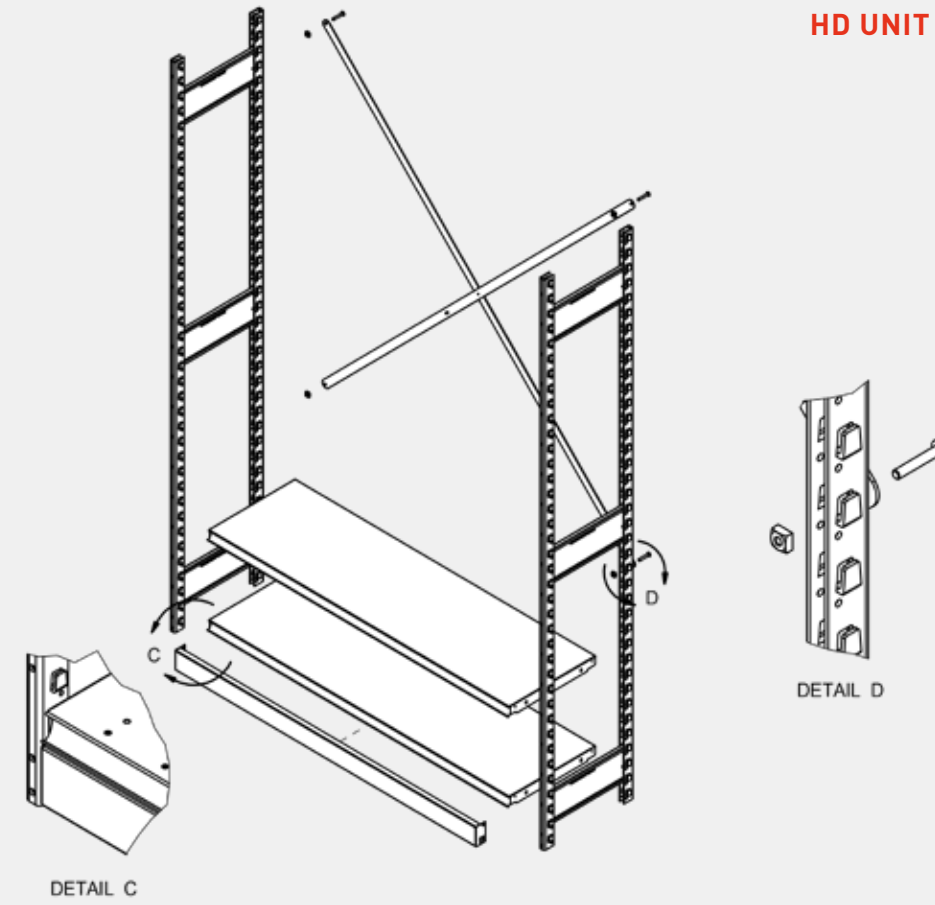


DETAIL G



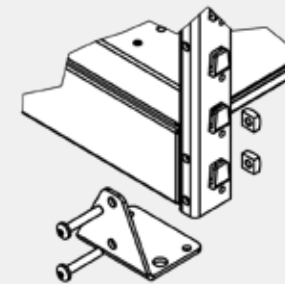
ASSEMBLY VIEW

HD UNIT INSTALLATION

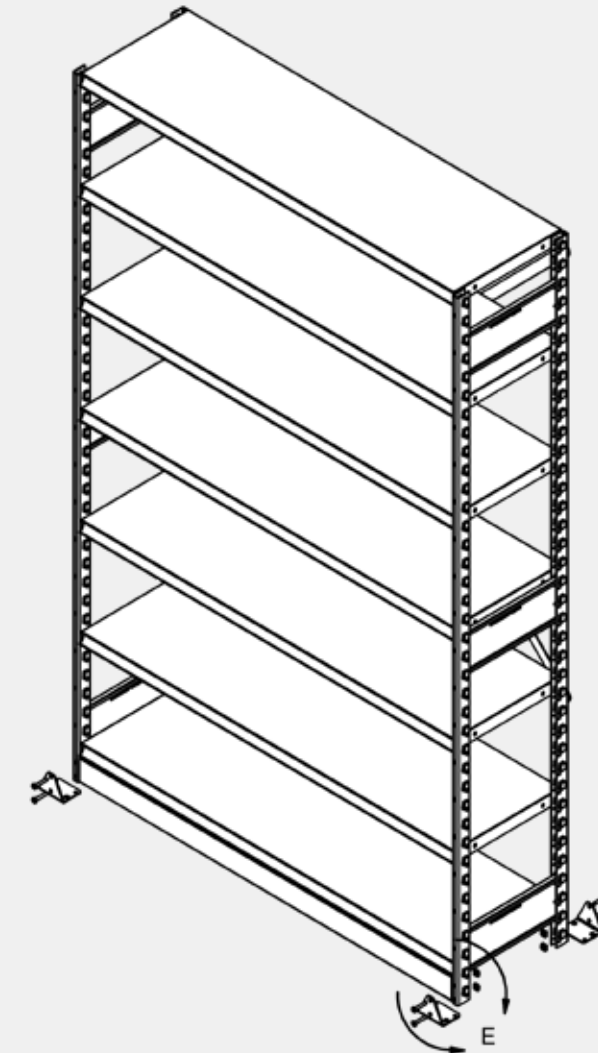


DETAIL C

DETAIL D



DETAIL E



ETALEX



WWW.ETALEX.CA

CONTACT

ANJOU PLANT

8501, Jarry Street East,
Montreal, QC H1J 1H7

T 514 351-2000

SF 1 800 351-3125

SAINT-BRUNO PLANT

1299, Marie-Victorin,
St-Bruno, QC J3V 6B7

T 514 351-2000

SF 1 800 351-3125

RAY-LAWSON PLANT

10251, Ray-Lawson,
Anjou, QC H1J 1L6

T 514 351-2000

SF 1 800 351-3125



FACEBOOK/ETALEX



LINKEDIN/ETALEX



YOUTUBE/ETALEX

MADE IN CANADA 

