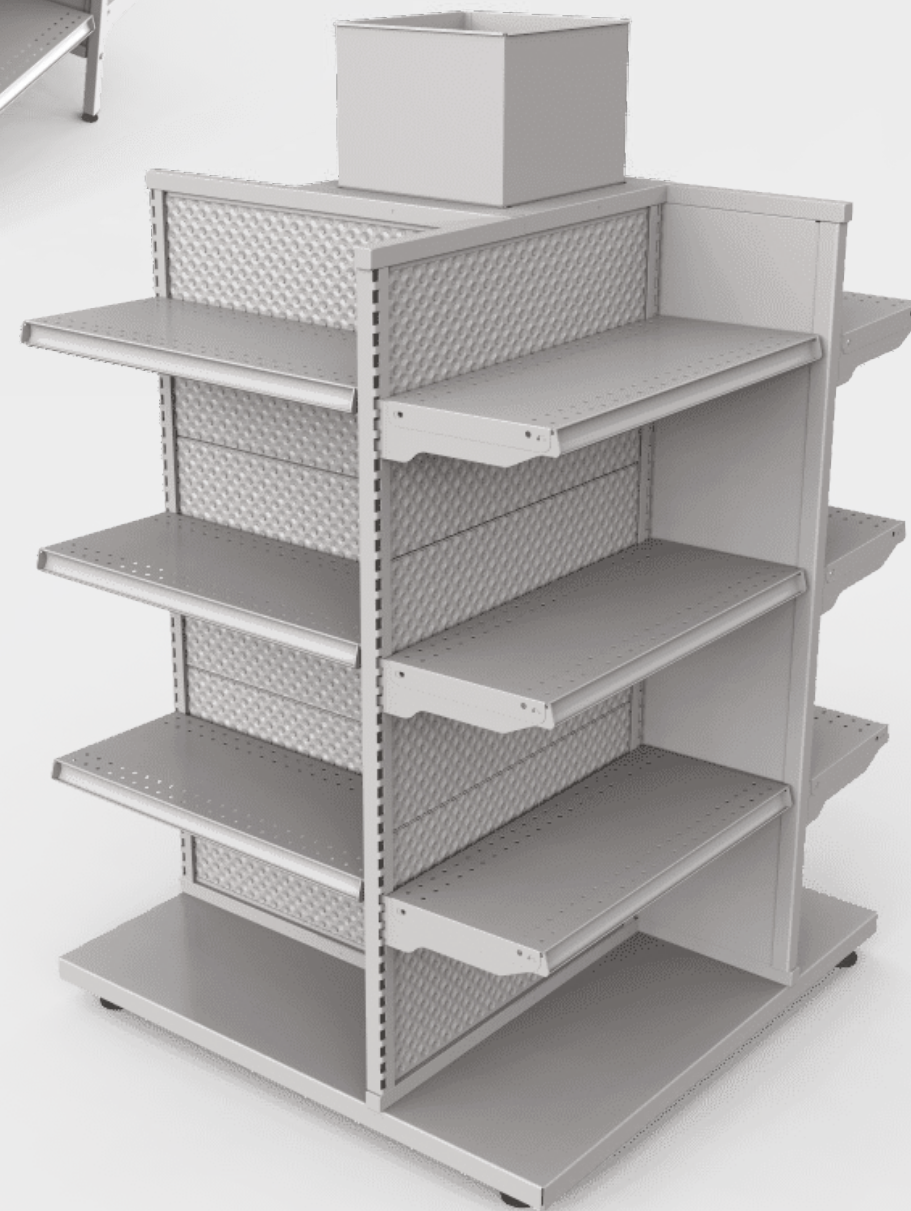




4 WAY DISPLAY

**INSTALLATION GUIDE,
COMPONENTS,
ACCESSORIES AND CODES.**





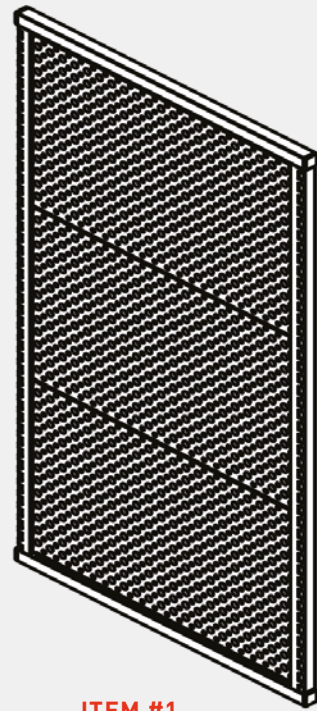
4 WAY DISPLAY

Our 4 way display allows you to showcase featured products on 360 degrees in high-traffic areas of your store.

Entirely made of metal, you can choose from masonite frames or metal backs and between the fixed or the movable version with wheels.

Etalex has also designed a top stand that can be added to this display, which allows you to display additional products.

Add a touch of class to your store by choosing our 4 way, entirely made of millwork.



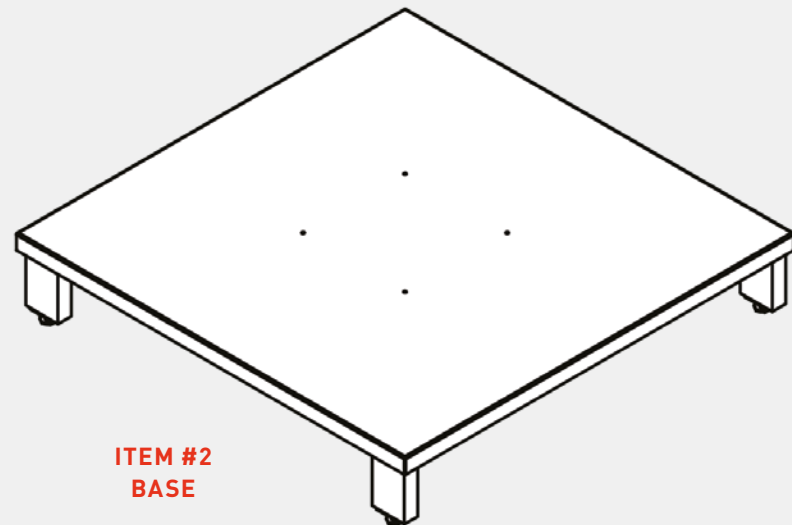
ITEM #1
PERFORATED
FRAME



ITEM #4
SELF TAPPING SCREW
NO 10-16 X 1/2" L



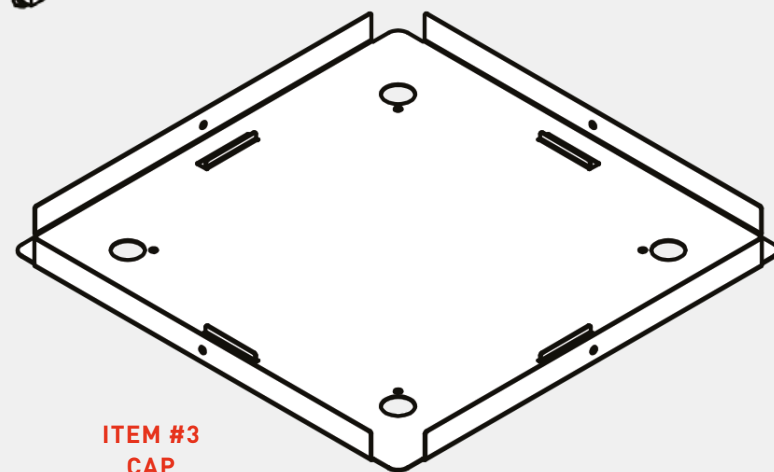
ITEM #5
SQUARE PLUG/CAP
1" X 1"



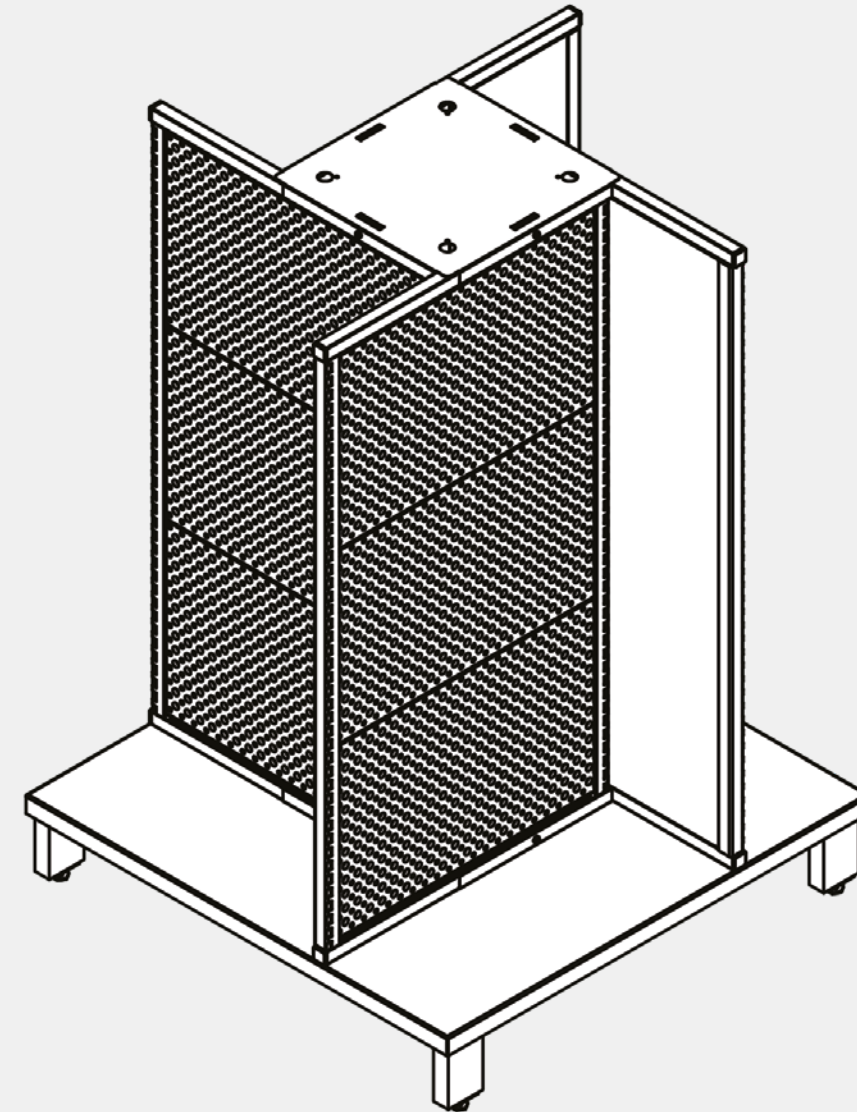
ITEM #2
BASE



Wheels model also
available.

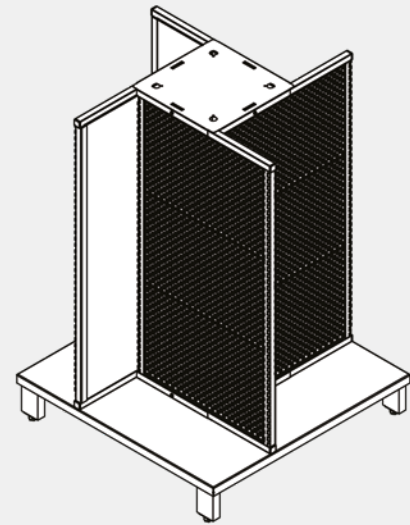


ITEM #3
CAP

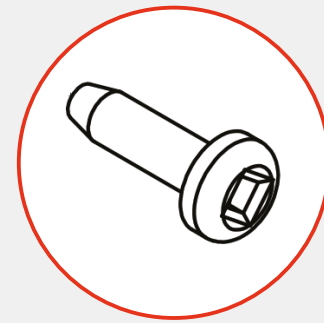
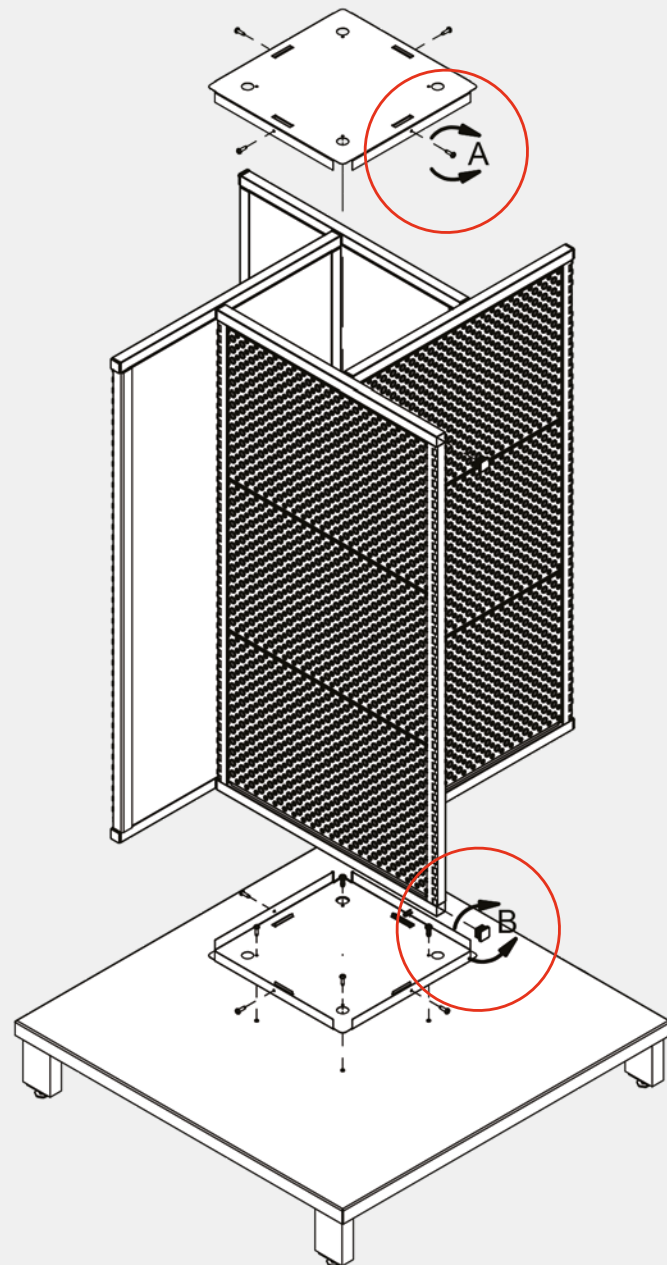


ETALEX

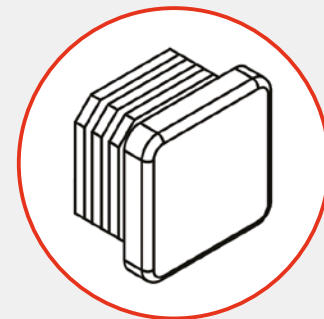
AVAILABLE DIMENSIONS			
PANEL LENGTH	BASE	MAXIMUM SHELF DEPTH	HEIGHT
24" (4X)	36" X 36"	10"	54" H
24" (2X) 30" (2X)	36" X 48"	10" 16"	54" H
24" (4X)	40" X 40"	14"	54" H
24" (4X)	48" X 48"	16"	54" H



MURAL		
PARTS LIST		
ITEM	QTY	DESCRIPTION
1	4	PERFORATED FRAME
2	1	BASE
3	1	UNIVERSAL CAP (4 FACES)
4	12	SELF TAPPING SCREW #10 -16 X1/2" L
5	8	SQUARE PLUG/CAP 1" X 1"

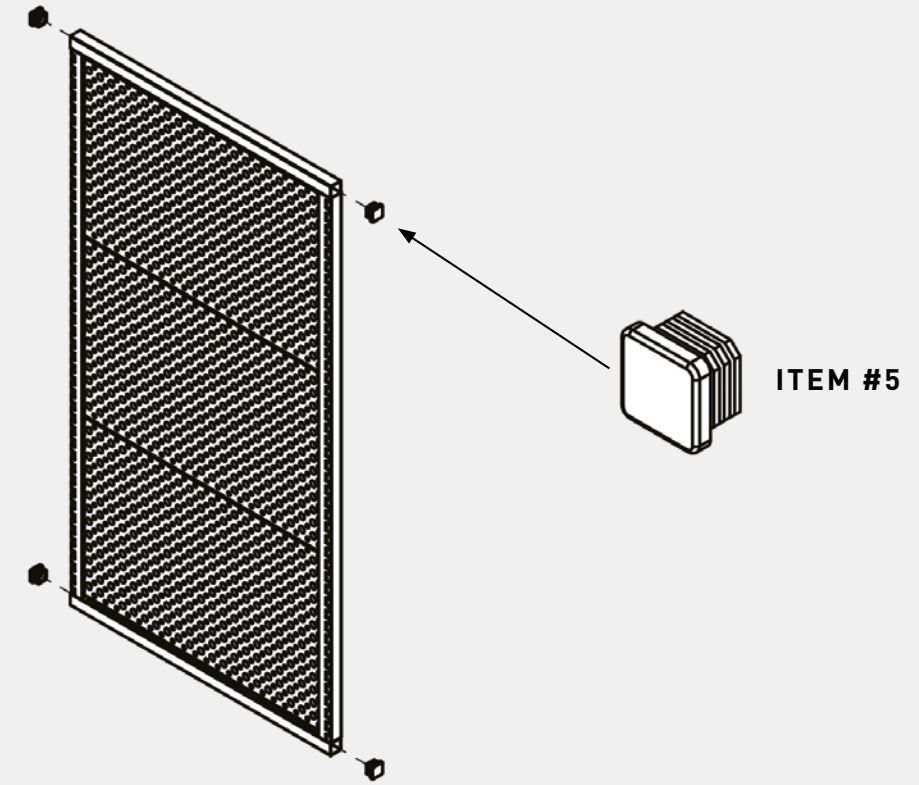


DETAIL A

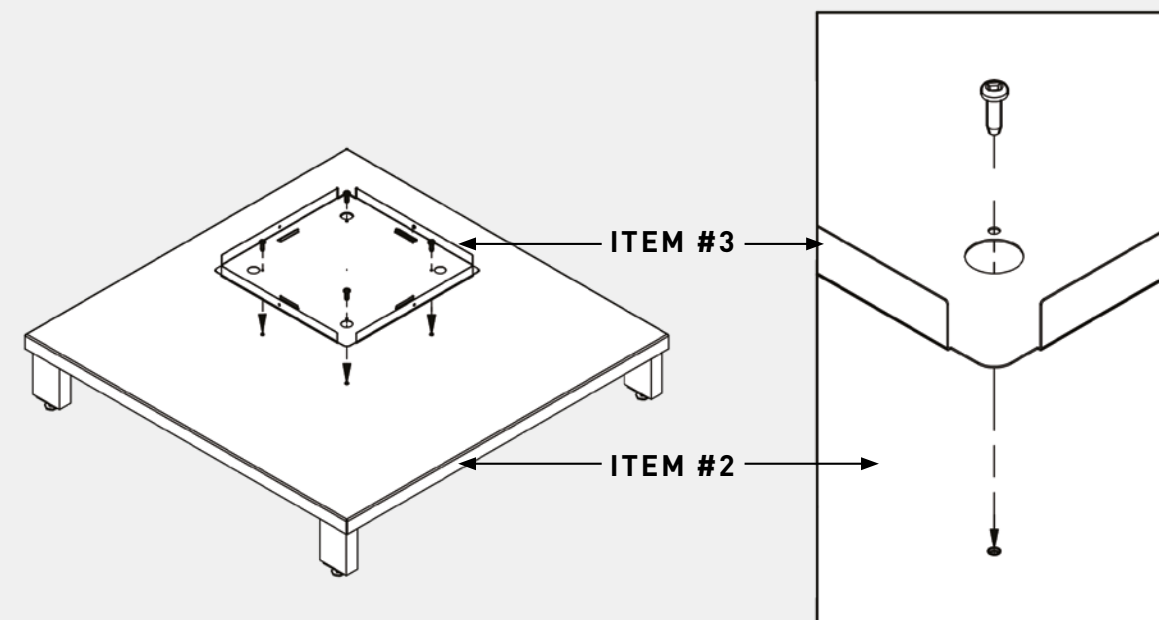


DETAIL B

STEP 1
INSERT THE BLACK SQUARES PLUGS/CAPS 1 „X 1" IN EVERY CORNER OF THE PERFORATED FRAME BY GIVING A GENTLE TAP WITH A RUBBER MALLET .



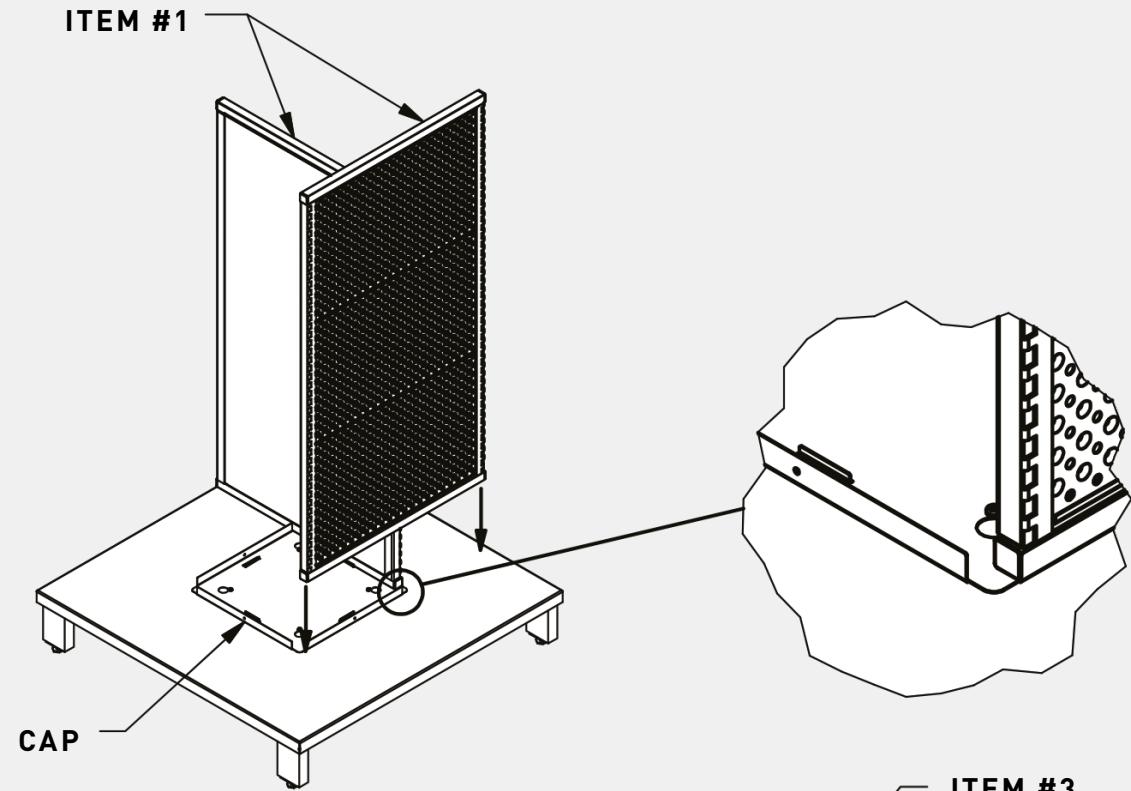
STEP 2
INSTALL THE UNIVERSAL CAP ON THE BASE. MAKE SURE THAT THE CAP'S HOLES ARE ALIGNED WITH THE HOLES OF THE BASE AND SECURE IT WITH THE SELF-TAPPING SCREW NO 10-16 X 1/2" L.



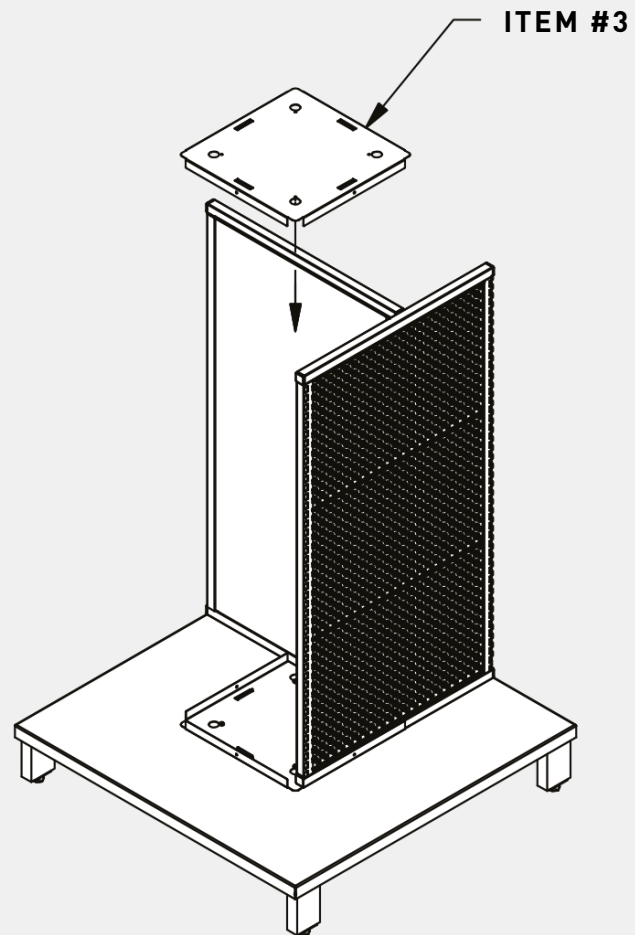
ETALEX

ASSEMBLY (METAL OR MASSONITE)

STEP 3
INSTALL ONLY TWO FRAMES WITHIN THE CHANNELS OF THE CAP. MAKE SURE THE OTHER CHANNELS ARE ACCESSIBLE FOR THE REMAINING FRAMES.

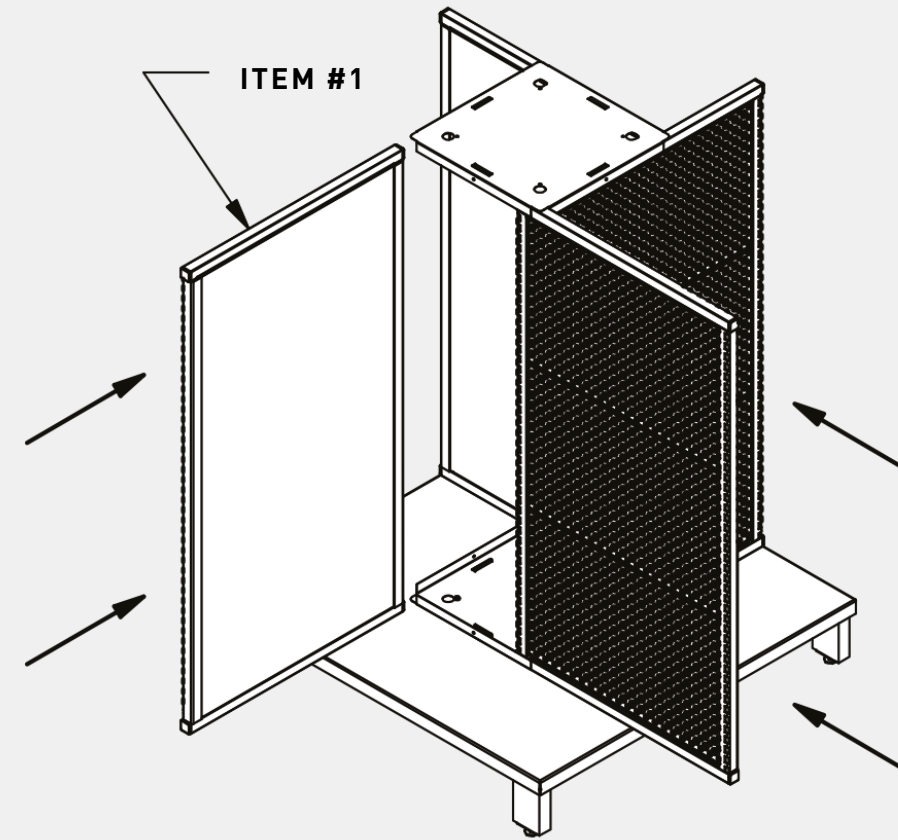


STEP 4
INSTALL THE CAP OVER THE TOP OF THE STRUCTURE.

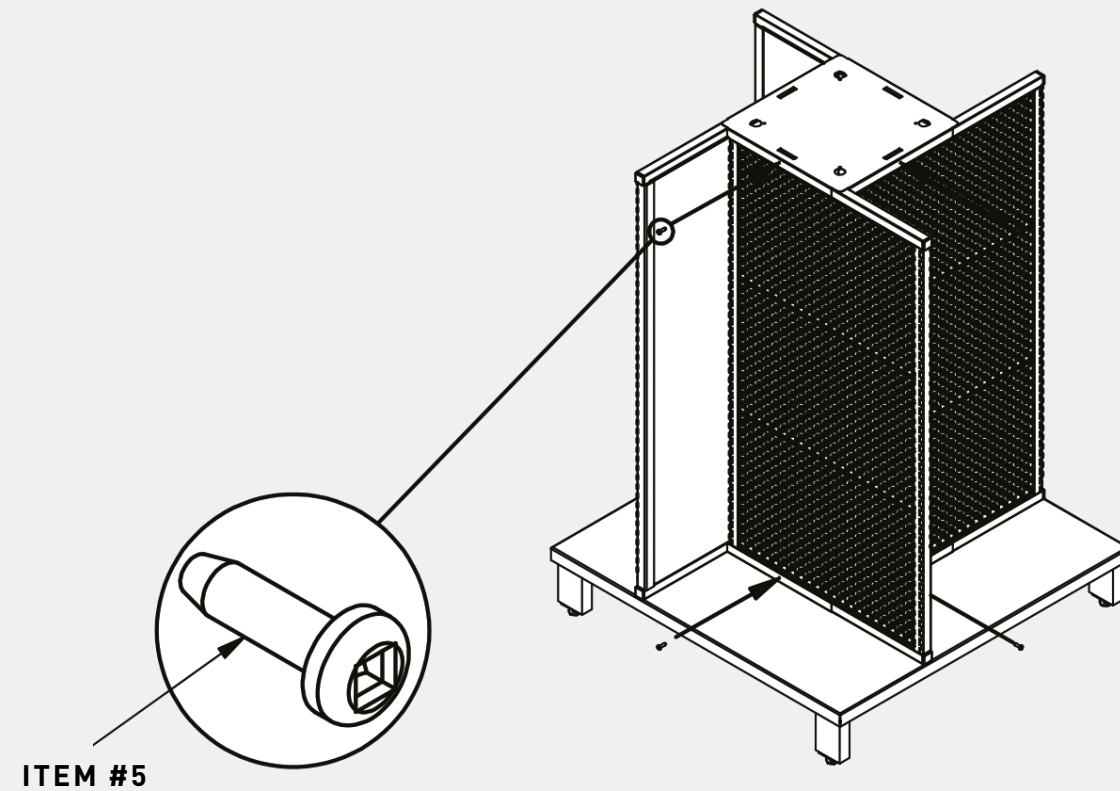


ASSEMBLY (METAL OR MASSONITE)

STEP 5
SLIDE IN THE CHANNELS OF THE REMAINING TWO FRAMES.

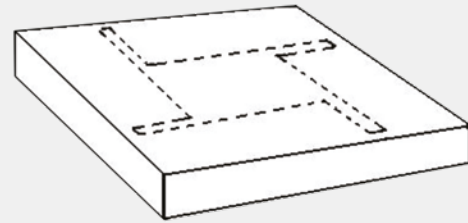


STEP 6
SECURE THE TOP AND BOTTOM OF THE FRAMES WITH THE SELF-TAPPING SCREWS #10-16 X 1/2" LG.

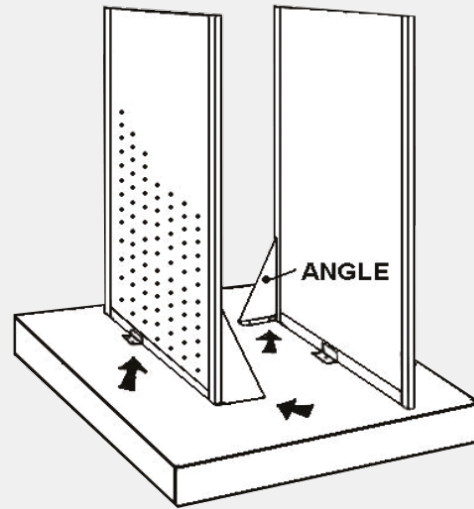


ASSEMBLY INSTRUCTIONS B-23

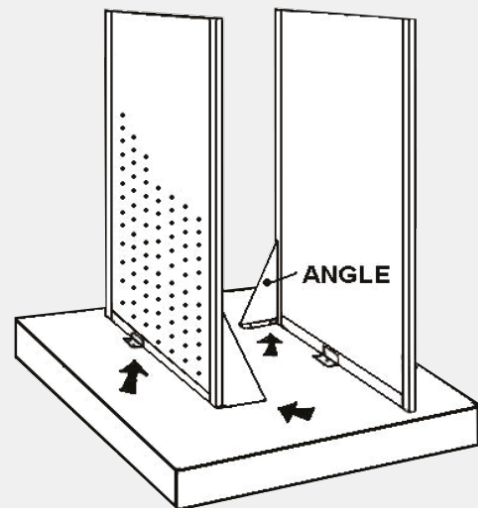
STEP 1
TRACE THE OUTLINE OF THE TOP CAP ONTO THE BASE TO FACILITATE ASSEMBLY.



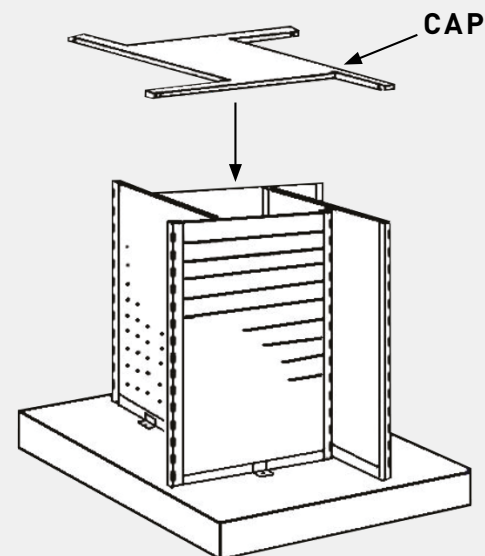
STEP 2
PLACE THE TWO PANELS THAT HAVE AN ANGLE ON THE INSIDE FACE TO FACE, FASTEN THEM AT THE PROPER PLACE WITH METAL SCREWS.



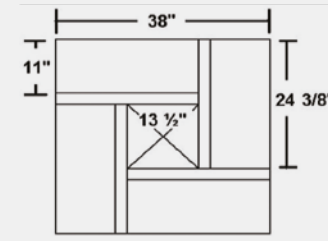
STEP 3
TAKE THE TWO OTHER PANELS AND PLACE THEM AGAINST THE OTHERS, FASTEN THEM AT THE BOTTOM WITH METAL SCREWS.



STEP 4
PLACE THE TOP CAP ONTO THE PANELS AND SECURE IT WITH METAL SCREWS IN EVERY HOLE.

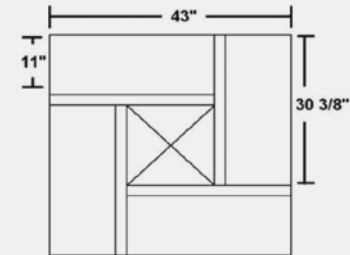


AVAILABLE SHELF SIZES



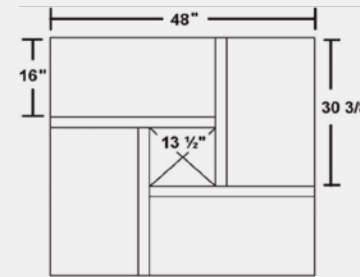
10" X 24" SHELF MAX.

- 38 X 38**
- SHELF 6 X 24
- SHELF 8 X 24
- SHELF 10 X 24



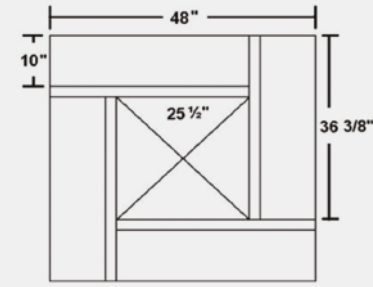
10" X 30" SHELF MAX.

- 43 X 43**
- SHELF 6 X 30
- SHELF 8 X 30
- SHELF 10 X 30



16" X 30" SHELF MAX.

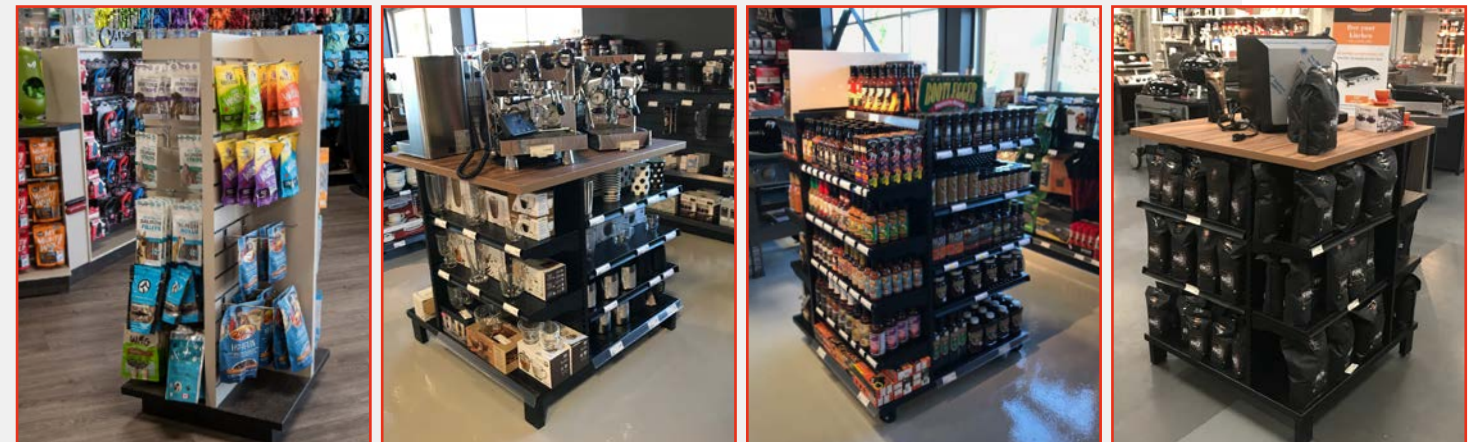
- 48 X 48 WITH 13 1/2 X 13 1/2 CENTER**
- SHELF 6 X 30
- SHELF 8 X 30
- SHELF 10 X 30
- SHELF 12 X 30
- SHELF 14 X 30
- SHELF 16 X 30



10" X 36" SHELF MAX.

- 48 X 48 WITH 25 1/2 X 25 1/2 CENTER**
- SHELF 6 X 36
- SHELF 8 X 36
- SHELF 10 X 36

PORTFOLIO





WWW.ETALEX.CA

CONTACT US

ANJOU PLANT

8501, Jarry Street East,
Montreal, QC H1J 1H7

T 514 351-2000

SF 1 800 351-3125

SAINT-BRUNO PLANT

1299, Marie-Victorin,
St-Bruno, QC J3V 6B7

T 514 351-2000

SF 1 800 351-3125

RAY-LAWSON PLANT

10251, Ray-Lawson,
Anjou, QC H1J 1L6

T 514 351-2000

SF 1 800 351-3125



FACEBOOK/ETALEX



LINKEDIN/ETALEX



YOUTUBE/ETALEX

PROUDLY MADE IN CANADA 🍁